

FITMENT INSTRUCTIONS

Alu-Cab™



Toyota Tacoma 2016 Contour Canopy Fitment Instructions

All rights reserved. No part of this document may be reproduced, translated, stored in a retrieval system, or transmitted, in any form or by any means, electronic, mechanical, photocopying, recording or otherwise, without prior written permission of the owner.

Review all instructions information carefully before installation.

Any damages, direct or incidental to the installer and/or property due to incorrect installation of any parts are the responsibility of the installer. Due to the various applications and fitment options available, the responsibility lies with the user to ensure all mounting points are secure and tight before every trip. If unsure, consult with your Distributor regarding the operations of our products.

Users are advised to be mindful of the load they are carrying and drive in accordance with road conditions.

DISCLAIMER

Alu-Cab

1. Canopy Fitment – Tools, Fasteners & Materials

The tables below show the equipment, i.e. tools and fasteners required to start the canopy fitment for a Toyota Tacoma.

1.1. Tools & Item Required:

TOOLS
Ratchet
Allen key
13mm Socket
13mm Ring Flat Spanner

ITEM
Turpentine
Cloth
Black sealant, silicone or Sikaflex
Window Cleaner

1.2. Fasteners supplied: (Included with canopy)

ITEM	QTY
• M8x30mm Button head screw	12 off
• M8x20mm Hex Bolts	12 off
• M8 Spring Washer	12 off
• M8 Flat Washer	30 off
• M8 Nylock Nuts	12 off
• M8 Plastic Nut Caps	12 off

1.3. Hardware Required: (Included with canopy)

ITEM	QUANTITY
• TT-TOP-MNT-BRKT-01-00	6 off
• TT-VERT-MNT-BRKT-01-00	6 off
• TT-NUT-PLT-01-00	6 off
• TT-SPACER-PLT-01-00	6 off

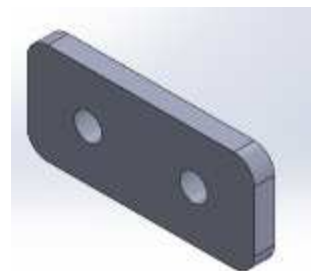
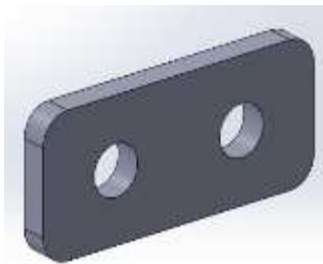
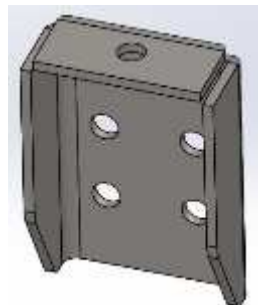
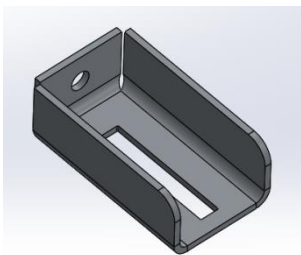


Fig 1: TT-TOP-MNT-BRKT-01-00

Fig 2: TT-VERT-MNT-BRKT-01-00

Fig 3: TT-SPACER-PLT-01-00

Fig 4: TT-NUT-PLT01-00

2. Mounting the canopy brackets to the load bin

The Tacoma canopy has six bracket kits (3 per side) which are fitted to the load bin. Figure 5 and 6 below shows a bracket kit assembly.

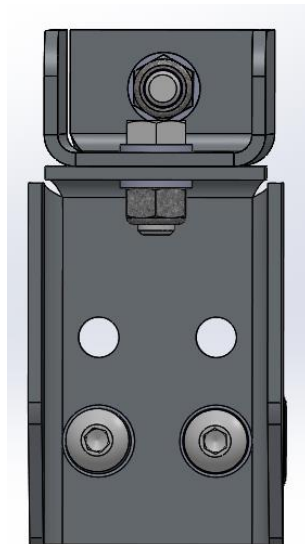
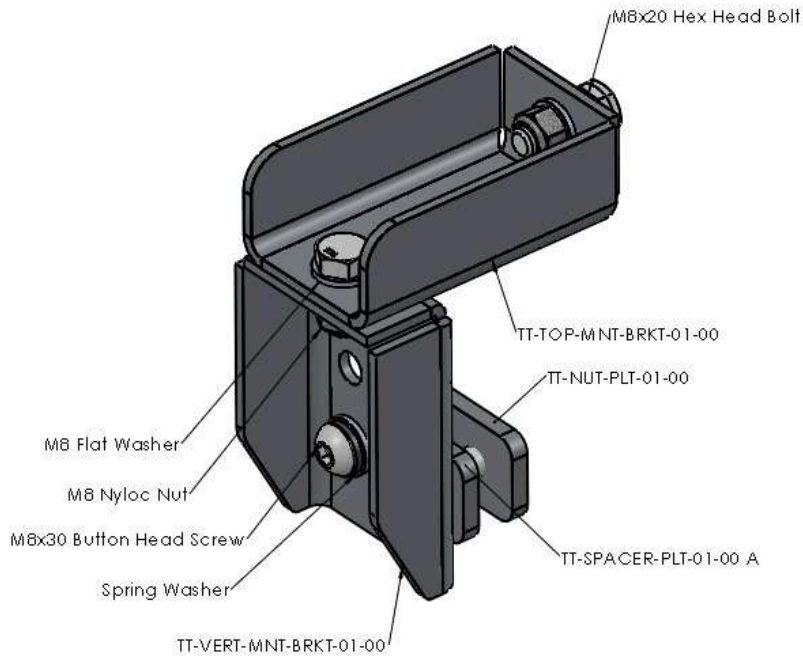


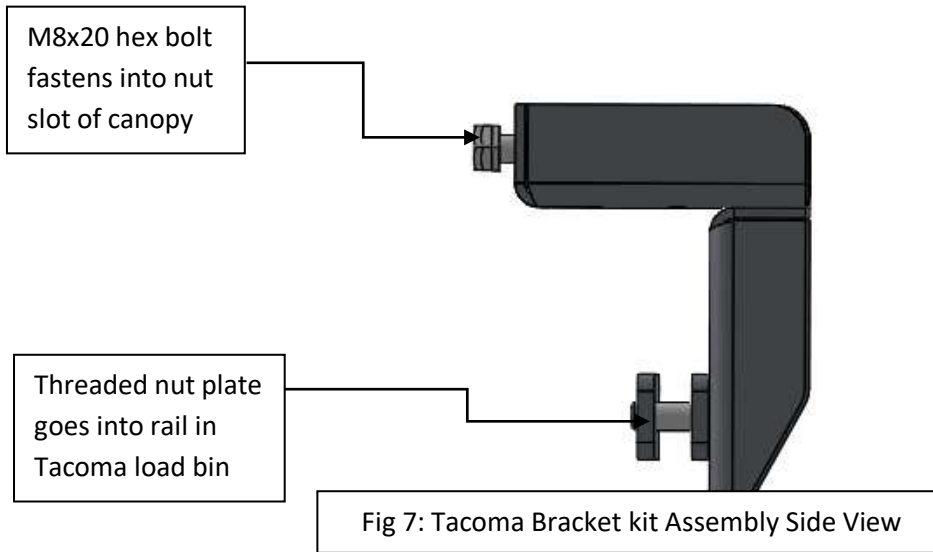
Fig 6: Tacoma Bracket kit Assembly Front View



WARNING

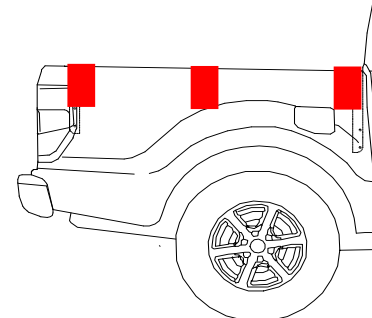
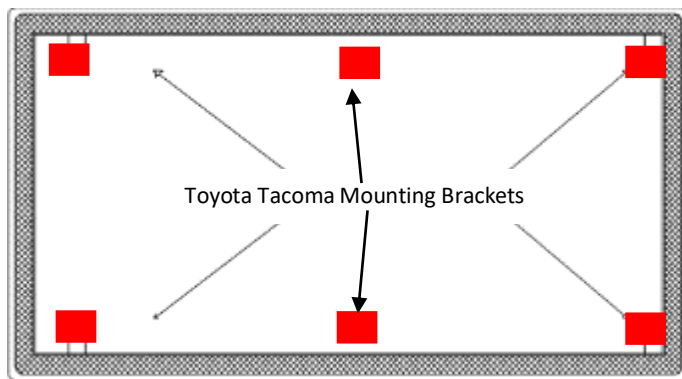
Always wear appropriate PPE (Personal protection equipment) when fitting this product. Although the mounting kit is designed to be DIY, if you have any doubts or concerns, contact an accredited fitment centre to carry out the work. Alu-Cab will not be liable for any injury to persons, and/or damage to products and/or vehicles.

2.1. Mounting the Support Brackets to the Load Bin



Positions of the bracket kits in the load bin

Figures 8 and 9 shows where the mounting brackets are fixed to the load bin.



Bolting the brackets to the load bin

For each bracket assembly, first slide the threaded nut plate into the Toyota Tacoma load bin rail. TT-SPACER-PLT-01-00 will be sandwiched between TT-VERT-MNT-BRKT-01-00 and the load bin rail as a spacer if needed. TT-VERT-MNT-BRKT-01-00 will be bolted to the thread nut plate using the M8x30 Button head screws with M8 flat washers and M8 spring washers.

Bolting the brackets to the Canopy

TT-TOP-MNT-BRKT-01-00 bolts to the nut slot in the canopy frame. Slide the provided M8x20 hex bolts into the frame by using the drilled out access holes. Roughly position the TT-TOP-MNT-BRKT-01-00 in the same position indicated in figure 8. Once the brackets are in position fasten them down with a flat washer and nylock nut.

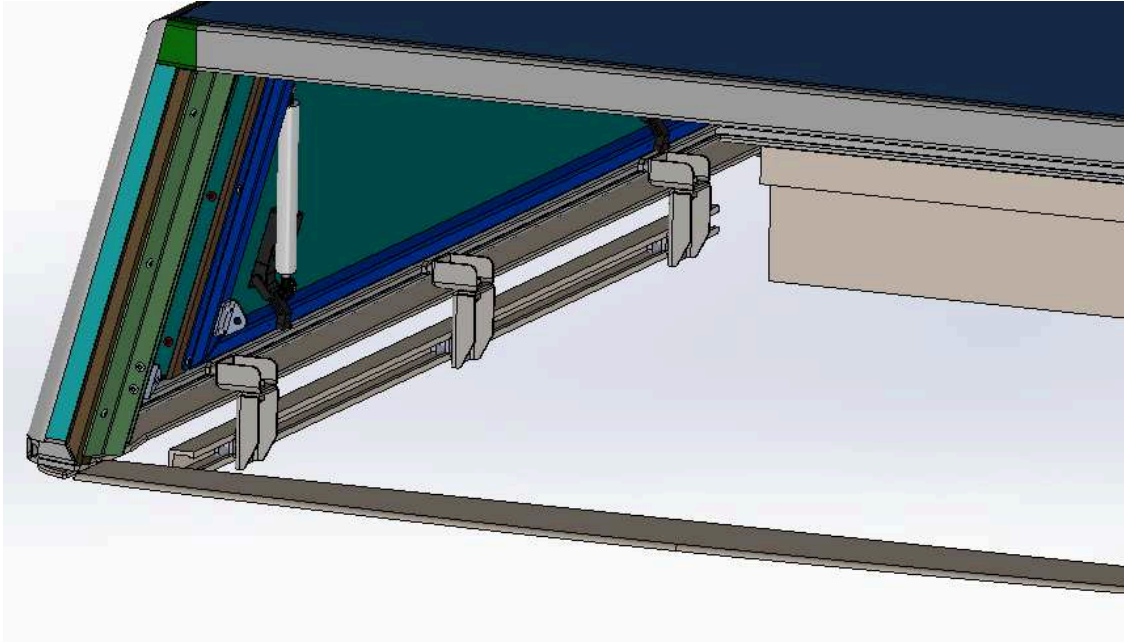


Fig 10: Tacoma Bracket kits



Fig 11: Photos of Bracket kit assembled in Tacoma Load Bin

3. Sealing the Front Bulkhead Spacer

In the 2016 and later models of the Tacoma a front bulkhead spacer bracket is included as a stock item.



Fig 12: Gaps in Factory Bulkhead Spacer

The bulkhead spacer bracket pictured above does not seal on to the load bin when it comes from the factory. To remedy this butyl tape (3M window weld) can be used. The butyl tape is applied to the gaps indicated above, apply it as a putty and ensure that a large amount is used to ensure the best seal possible.

4. Canopy Installation

Before placing the canopy onto the load bin, check that the D-Rubber is intact on the canopy. If this is not done, the canopy and/or load bin could be damaged or can cause leaks into the canopy.

To position the canopy, ensure that it is flush with the load bin on the inside.

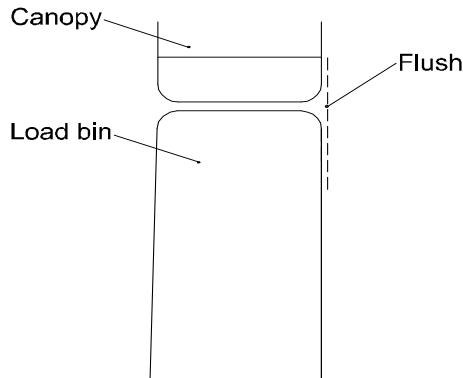


Figure 13: Canopy and Load Bin Alignment

4.1. Canopy Fitment to Load bin

Keep all the doors of the canopy open besides the rear door when placing it onto the load bin. With the TT-TOP-MNT-BRKT-01-00 affixed to the canopy and the TT-VERT-MNT-BRKT-01-00 affixed to the load bin place the canopy on to the load bin. If there are any gaps between the TT-TOP-MNT-BRKT-01-00 and the TT-VERT-MNT-BRKT-01-00 fill the gap with shims. With the shims in place raise the rear of the canopy slightly, approximately 10mm, add another two or three shims to the rear mount brackets and drop the canopy into position again. The mount brackets will now fully support the canopy weight.

Check the distance between the rear door lip seal and the load bin, the distance should be approximately 5mm to ensure the rubber does not tear but still seals.

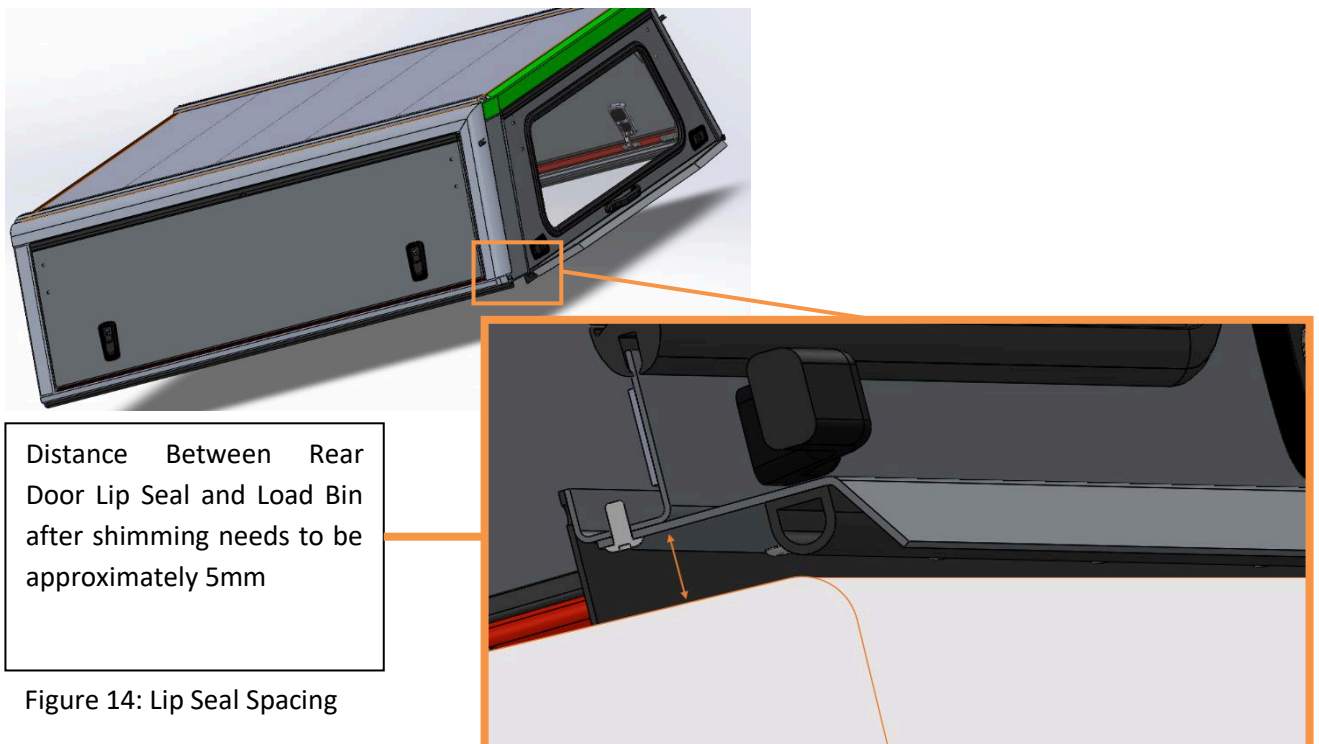


Figure 14: Lip Seal Spacing

Work forward from the rear brackets and shim up the mounting brackets where required to ensure an even compression of the D-rubber on the bottom of the canopy frame. With the rubber evenly compressed fasten the TT-TOP-MNT-BRKT-01-00 and the TT-VERT-MNT-BRKT-01-00 to each other using a M8x20mm Hex Bolt, two M8 Flat Washer and a M8 Nylock Nut. The canopy is now secure

4.2. Windoweld on Fitted Canopy

With the Canopy fitted reinspect the windoweld and ensure all gaps are properly closed.

The finished Canopy should look like figures 15 and 16 below.



Figure 15 & 16: Window Weld Applied on Inside and Outside of Load Bin at the Front of the Canopy

