



FITMENT INSTRUCTIONS

NISSAN NAVARA NP300 EXPLORER & CONTOUR CANOPY FOR 2015 - 2020

Installation Instructions

Preliminary information

Installation and fitment instructions including tools required, fasteners included in kit, and the hardware included in kit.

Please following the instructions and check installation actions with the images in this document.



Service Enquiries email
queries@alu-cab.com

Installation Instructions

Canopy Fitment – Tools, Fasteners & Hardware

1.1

Tools & Items Required

Ratchet
Allen key
13mm Socket
13mm Ring Flat Spanner

Item

Turpentine
Cloth
Black sealant, silicone or Sikaflex
Window Cleaner

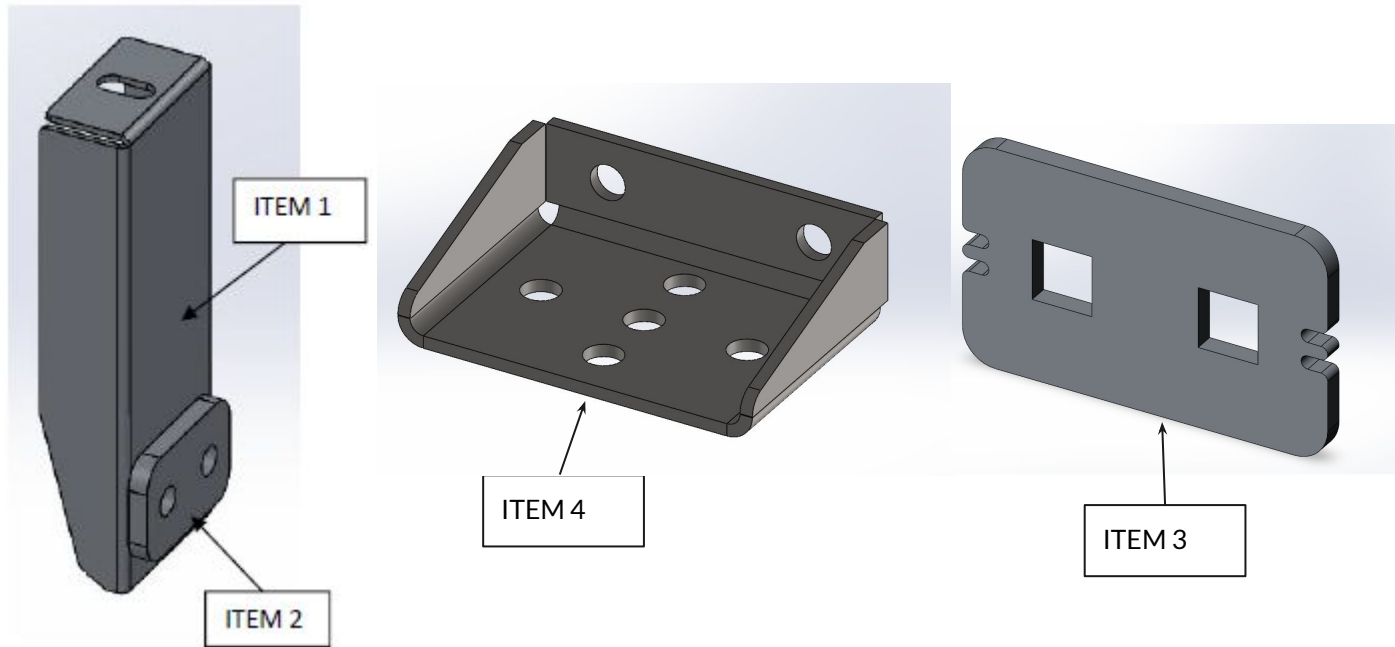
1.2

Hardware supplied

ITEM NO.	PART NUMBER	DESCRIPTION	QTY
1	NP300-CHAN-BRKT-01	CHANNEL BRACKET	6
2	NP300-SPACER-PLT-01	SPACER PLATE	6
3	CS-NUT-PLT-01	CUP SQUARE PLATE	6
4	AC001-CAN-MNT-BRKT-01	CANOPY MOUNTING BRACKET	6
5	AC001-STD-SHIM-01	STANDARD SHIM 01	48
6	HEX-M8x20	M8x20 HEX BOLT S/S	12
7	FW-M8	M8x16mm FLAT WASHER S/S - DIN 125	36
8	NY-M8	M8 NYLOC NUT S/S	30
9	NCAP-M8	NUT CAP-08mm	36
10	HEX-M8x30	M8x30 HEX BOLT S/S	6
11	BX-BB	BRACKET - BOX	1
12	SQN-M8x25	M8x20 CUP SQ BOLT S/S	12
13	ELAS-BAND-14	ELASTIC BAND NO.6	6

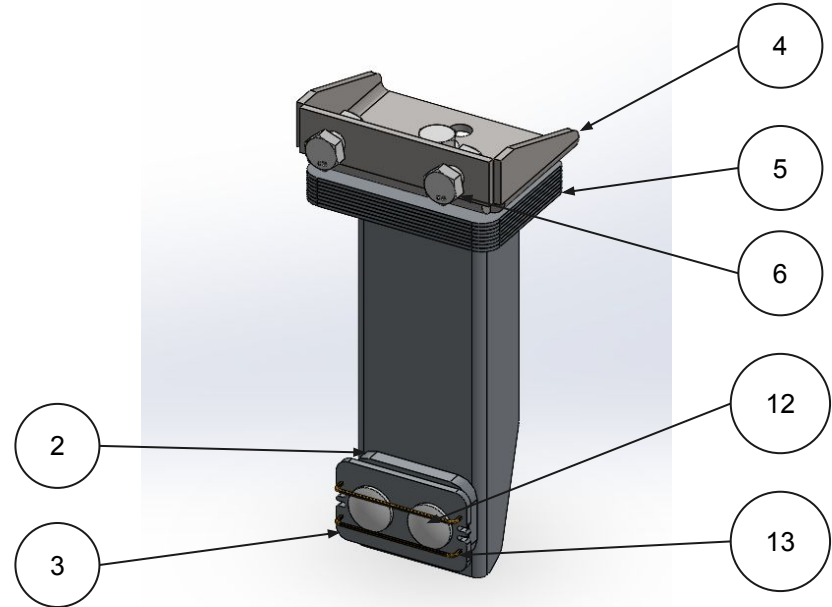
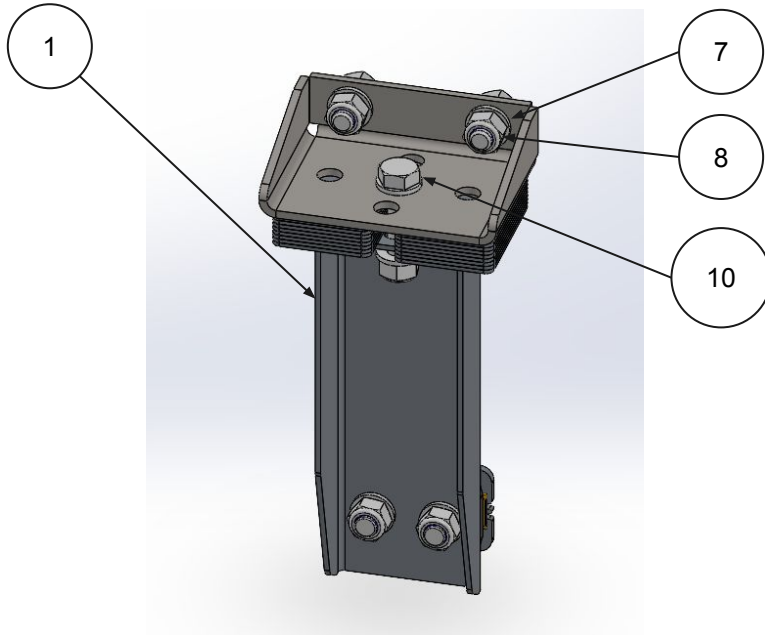
Installation Instructions

Brackets included:



Installation Instructions

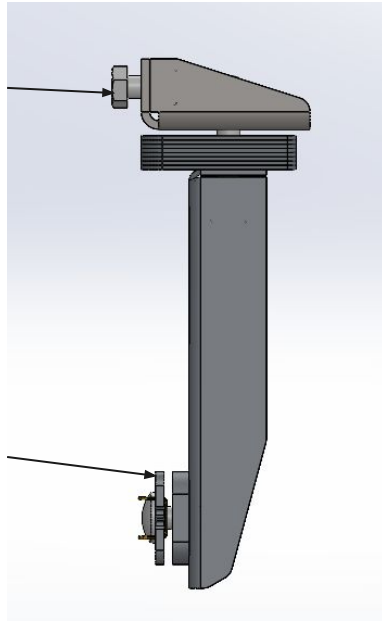
- 2 **Mounting the canopy brackets to the load bin:**
The Navara NP300 canopy has six bracket kits (3 per side) which are fitted to the load bin.



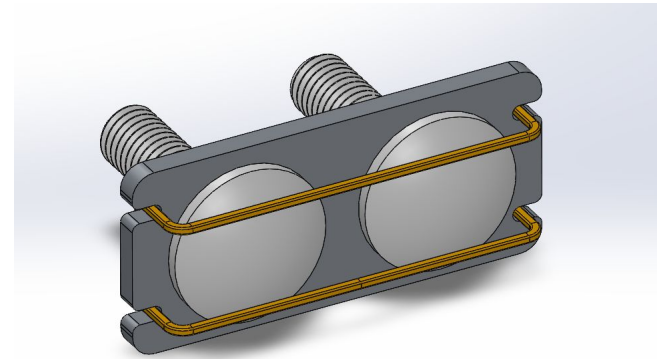
Installation Instructions

2.1 Mounting the Support Brackets to the Load Bin:

M8x20 Hex Bolt slides into nut slot of the canopy and fastens the canopy mounting bracket to the canopy



With the nut plate assembly fitted in the rail line the cup squares up with the holes on the NP300 channel bracket.



Assemble the nut plate, cup square and elastic band as shown in the image above. Slide this assembly into the rail in the load bin

Installation Instructions

Positions of the bracket kits in the load bin

Figures 7 and 8 shows where the mounting brackets are fixed to the load bin.

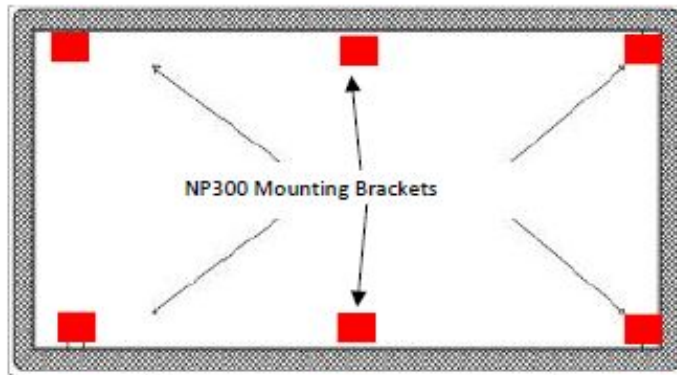


Fig 7: Top View of Load bin

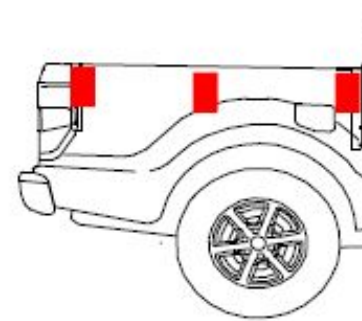


Fig 8: Side View of Load bin

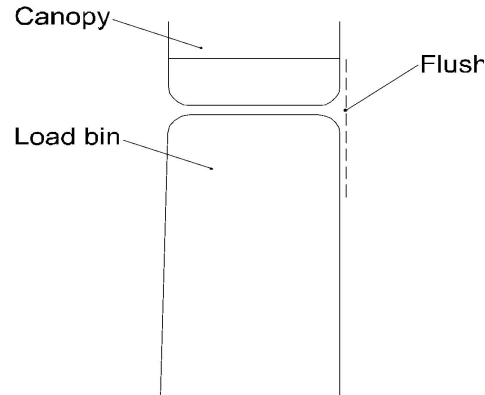
Installation Instructions

3

Canopy Installation:

Before placing the canopy onto the load bin, check that the D-Rubber is intact on the canopy. If this is not done, the canopy and/or load bin could be damaged or can cause leaks into the canopy.

To position the canopy, ensure that it is flush with the load bin on the inside.



3.1

Canopy Fitment to Load bin:

Keep all the doors of the canopy open besides the rear door when placing it onto the load bin. Check alignment before bolting down.

Disclaimer

All rights reserved. No part of this website may be reproduced, translated, stored in a retrieval system, or transmitted, in any form or by any means, electronic, mechanical, photocopying, recording or otherwise, without prior written permission of the owner.

Review all instructions information carefully before installation.

Any damages, direct or incidental to the installer and/or property due to incorrect installation of any parts are the responsibility of the installer. Due to the various applications and fitment options available, the responsibility lies with the user to ensure all mounting points are secure and tight before every trip.

If unsure, consult with your Distributor regarding the operations of our products.

Users are advised to be mindful of the load they are carrying and drive in accordance with road conditions.

WARNING

Always wear appropriate PPE (Personal protection equipment) when fitting our products. Although the mounting kit is designed to be DIY, if you have any doubts or concerns, contact an accredited fitment centre to carry out the work. Alu-Cab will not be liable for any injury to persons, and/or damage to products and/or vehicles.

While Alu-Cab Holdings takes reasonable measures to ensure that the contents of this Website are accurate and complete, Alu-Cab Holdings makes no representations or warranties, whether express or implied, as to the quality, timeliness, operation, integrity, availability or functionality of this Website or as to the accuracy, completeness or reliability of any information on this Website. Alu-Cab Holdings reserves the right to make changes, corrections and/or improvements to the information and to the products and programs described in such information, at any time without notice.

Alu-Cab Holdings will use reasonable endeavours to maintain the availability of the Website, except during scheduled maintenance periods, and reserves the right to discontinue providing the Website or the service or any part thereof with or without notice to you. Any person who accesses this Website or relies on this Website or on the information contained in this Website does so at his or her own risk.

Occasionally, at our discretion, we may include or offer third-party products or services on our website. These third-party sites have separate and independent privacy policies. We therefore have no responsibility or liability for the content and activities of these linked sites. Nonetheless, we seek to protect the integrity of our site and welcome any feedback about these sites.