



FITMENT INSTRUCTIONS

ISUZU: Explorer & Contour Canopies

Model Series: RT50 Spec: (2013 - 2020): Double & Extra Cab

Model Series: RG06 Spec: (2020 - Current): Double & Extra Cab - 2020): Double & Extra Cab

Installation Instructions

Preliminary information

Installation and fitment instructions including tools required, fasteners included in kit, and the hardware included in kit.

Please follow the instructions and check installation actions with the images in this document.



Service Enquiries email
queries@alu-cab.com

Model Images



Service Enquiries email
queries@alu-cab.com

Tools & Items Required

1.1

Tools & Items Required

Torx Screw Driver
Ratchet
13mm spanner & socket torque wrench
Turpentine
Cloth
Black Sealant, Silicone or SikaFlex
Window Cleaner

Please be sure to lay out all parts provided on a table or flat surface in order to check that all required parts are accounted for and prevent potential frustration at a later stage.

Fasteners Required

1.2

Fasteners Required (Included With Canopy) & Torque Settings

<u>ITEM : Grade A2-70 (Stainless) HB</u>	<u>QTY</u>	<u>Max. HB Torque</u>
M8 x 30mm Hex Bolts (HB)	10	17 Nm
M8 x 25mm Hex Bolts (HB)	4	17 Nm
M8 x 40mm Hex Bolts (HB)	2	17 Nm
M8 x 20mm Hex Bolts (HB)	12	17 Nm
M8 Flat Washer	20	N / A
M8 Nylock Nuts	18	N / A
M8 Plastic Nut Caps	34	N / A
M8 Oversized Washer	16	N / A
M8 Spring Washer	10	N / A
M8 Nut	2	N / A

Please be sure to lay out all parts provided on a table or flat surface in order to check that all required parts are accounted for and prevent potential frustration at a later stage.

Hardware Required

1.3

Hardware Required (Included With Canopy)

<u>ITEM</u>	<u>DESCRIPTION</u>	<u>QTY</u>
Isuzu Canopy Mount - IRF	Front Right Mounting Bracket	1
Isuzu Canopy Mount - ILF	Front Left Mounting Bracket	1
Isuzu Canopy Mount - IRL/IRR	Rear Right Mounting Bracket	2
Canopy Shim	Canopy Bracket Spacer	20
Universal Canopy Mounting Bracket	Canopy Mounting Bracket	4
Centre Mounting Bracket Top	Centre Mounting Bracket	2
Centre Mounting Bracket Bottom	Hook Type Bracket	2
Canopy Shim	Canopy Bracket Spacer	20

Please be sure to lay out all parts provided on a table or flat surface in order to check that all required parts are accounted for and prevent potential frustration at a later stage.

Part Identification

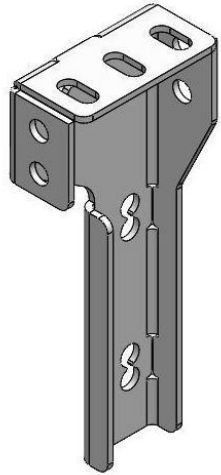


Figure 1: Front
Mount LH
Load Bin
Bracket

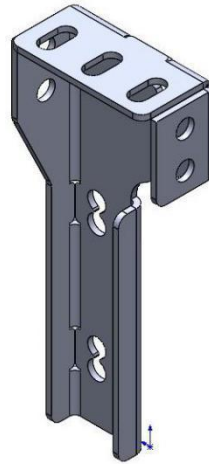


Figure 2: Front
Mount RH
Load Bin
Bracket

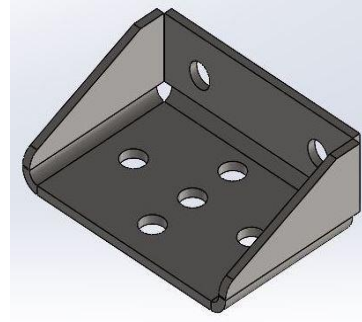


Figure 3:
Universal
Canopy
Mounting
Bracket

Part Identification

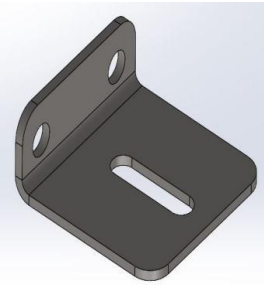


Figure 4:
Centre
Mounting
Bracket Top

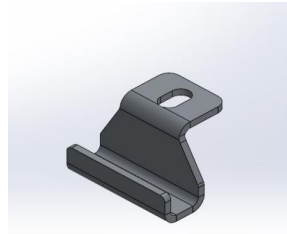


Figure 5:
Centre
Mounting
Bracket
Bottom

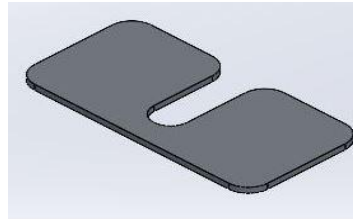


Figure 6:
Canopy Shim
(Alu Spacer)

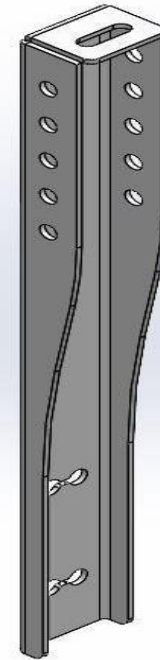


Figure 7:
Rear Mount
Load Bin
Bracket

Installation Instructions: Mounting the Support Brackets to the Load Bin

STEP
1

Removing the Standard Hooks: Remove the front and rear standard hook brackets from the load bin using a Phillips screwdriver.



Figure 8 , 9 & 10 : Standard Hook & Screw Points

Installation Instructions: Positions of the Front and Rear Support Brackets to the Load Bin

STEP
2

Figures 11 and 12 shows where the mounting brackets are fixed to the load bin. It mounts in the same place as the standard hooks shown above.

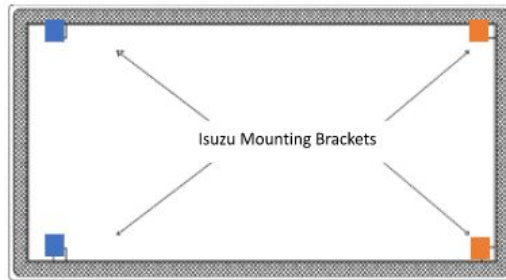


Figure 11.1 : Top View of Load Bin

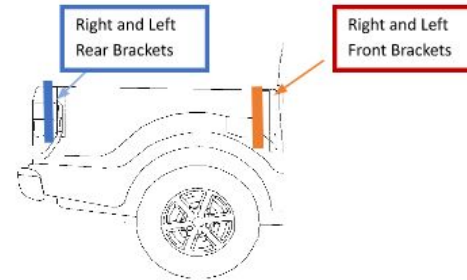
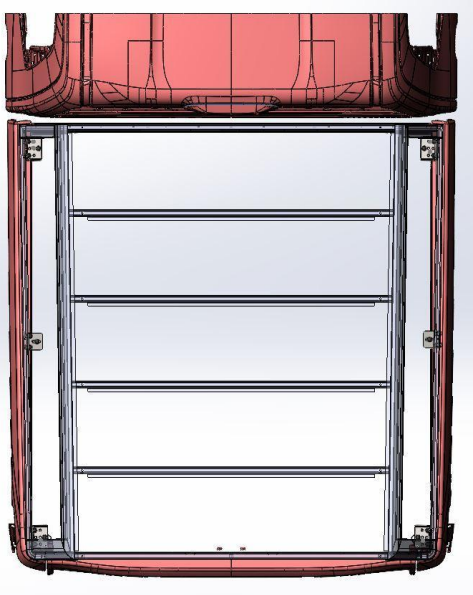


Figure 11.2: Side View of Load Bin

Installation Instructions: Positions of the Front and Rear Support Brackets to the Load Bin

STEP
2

Figures 11 and 12 shows where the mounting brackets are fixed to the load bin. It mounts in the same place as the standard hooks shown above.



11.3 Typical Load Bin Depicting Mounting & Clamping Canopy Points.

Installation Instructions: Bolting the front support brackets to the load bin

STEP
3

Mount the bracket onto the load bin using either the existing screws from the load bin with its hook or with M8x30 hex bolts, M8 flat washers and M8 nut caps provided on the front left & right of the load bin. Please refer to figures 12 , 13 , below.



Figure 12: Front Bracket installed

Installation Instructions: Bolting the rear support brackets to the load bin

STEP
3

Repeat Step 3 for the rear support brackets. This must be done for the left and right hand side rear support brackets. See Figure 13 below.



Figure 13: Rear Bracket installed

Installation Instructions: Mounting the Centre Mounting Bracket

STEP
4

Figure 15.1 & 15.2 below is the assembly of the centre mounting brackets.

Figure 14 below shows a section view of how the centre mounting bracket clamps onto the load bin.

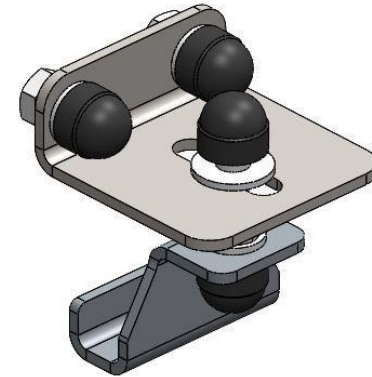
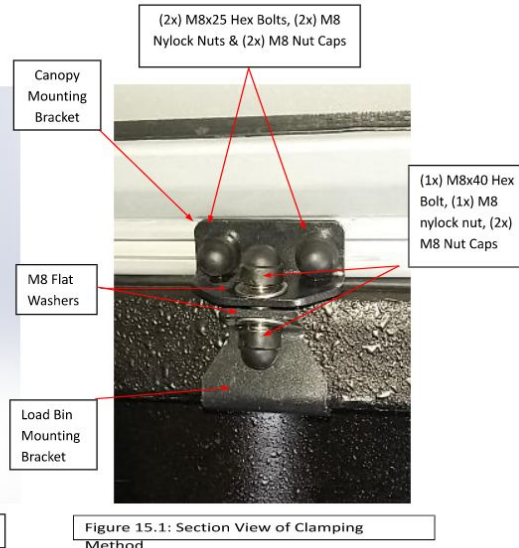
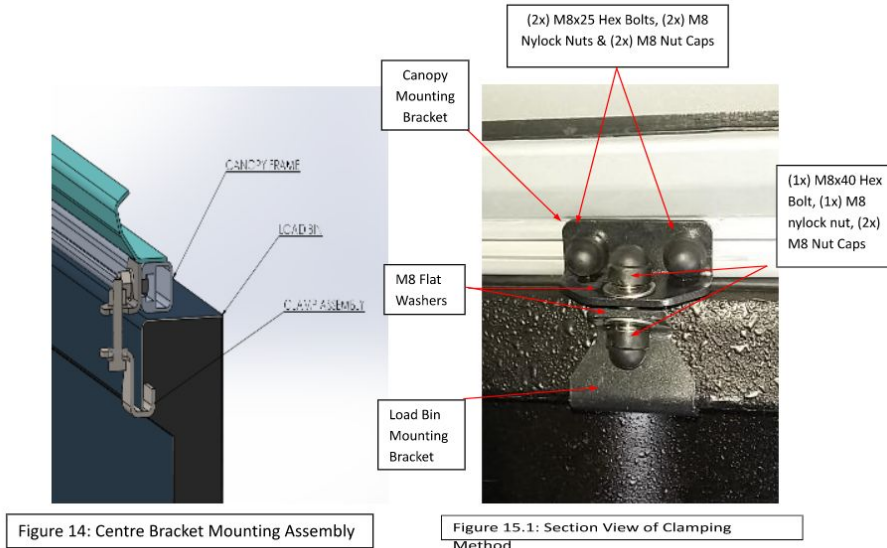


Figure 15.2: Assembly View : Centre Clamp

Installation Instructions: Canopy Installation

STEP
5

Before placing the canopy onto the load bin, check that the D-Rubber is intact on the canopy. If this is not done, the canopy and/or load bin could be damaged or can cause leaks into the canopy.

To position the canopy, ensure that it is flush with the load bin

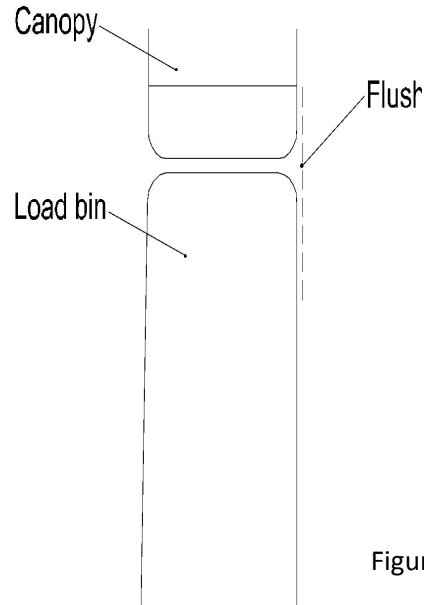


Figure 16: Canopy and Load Bin Alignment

Installation Instructions: Canopy Installation

STEP
6

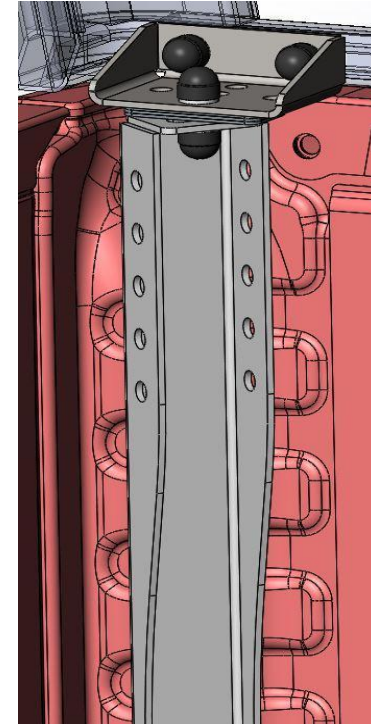
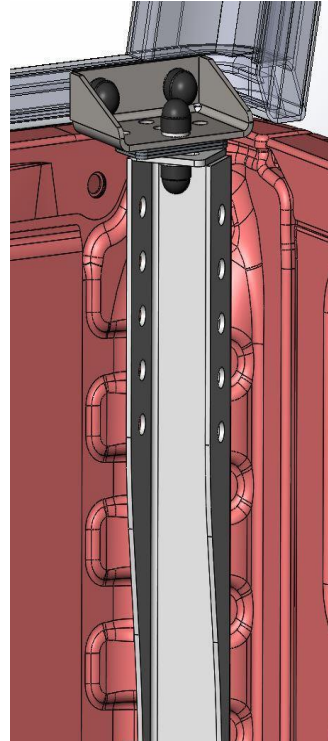
Canopy Fitment to Load bin: Keep all the doors of the canopy open besides the rear door when placing it onto the load bin to check for square.

a) **Bolting the Universal Bracket to the Rear Support Brackets**

Align the Universal bracket to the rear support bracket mounted to the load bin and insert the mounting bolt. Slide in the spacer plates between the 2 brackets and tighten / torque the bolt to specifications.

Figure 17.1 : Mounting Universal-Rear Support Brackets : Left Side & Right Side

Figure 17.2 : Please refer to the Supporting Drawing on the next page.



Installation Instructions: Canopy Installation

STEP
6

ITEM NO.	PART NUMBER	DESCRIPTION	QTY
1	293-RER-MNT-BRKT-01	REAR MOUNTING BRACKET	1
2	AC001-CAN-MNT-BRKT-01	CANOPY MOUNTING BRACKET	1
3	AC001-ST3-SHM-02	SHIM PLATE 2	3
4	HEX-M8x20	M8x20 HEX BOLT S/S	2
5	FW-M8	M8x16mm FLAT WASHER S/S - DIN 125	3
6	NY-M8	M8 NYLOC NUT S/S	3
7	NCAP-M8	NUT CAP.Ø8mm	6
8	FFW-M8	M8x24mm OVERSIZED WASHER S/S - DIN 9021	3
9	HEX-M8x10	M8x10 HEX BOLT S/S	2
10	HEX-M8x25	M8x25 HEX BOLT S/S	1
11	SW-M8	M8 SPRING WASHER S/S	2

REV.	DESCRIPTION	DATE	APPROVED	REV.
00	RELEASED FOR PRODUCTION	2020-11-11	System Administrator	00

REVISIONS		DATE	APPROVED	REV.
00	RELEASED FOR PRODUCTION	2020-11-11	System Administrator	00

ITEM NO.	PART NUMBER	DESCRIPTION	QTY
1	293-RER-MNT-BRKT-01	REAR MOUNTING BRACKET	1
2	AC001-CAN-MNT-BRKT-01	CANOPY MOUNTING BRACKET	1
3	AC001-ST3-SHM-02	SHIM PLATE 2	3
4	HEX-M8x20	M8x20 HEX BOLT S/S	2
5	FW-M8	M8x16mm FLAT WASHER S/S - DIN 125	3
6	NY-M8	M8 NYLOC NUT S/S	3
7	NCAP-M8	NUT CAP.Ø8mm	6
8	FFW-M8	M8x24mm OVERSIZED WASHER S/S - DIN 9021	3
9	HEX-M8x10	M8x10 HEX BOLT S/S	2
10	HEX-M8x25	M8x25 HEX BOLT S/S	1
11	SW-M8	M8 SPRING WASHER S/S	2

REVISIONS		DATE	APPROVED	REV.
00	RELEASED FOR PRODUCTION	2020-11-11	System Administrator	00

ITEM NO.	PART NUMBER	DESCRIPTION	QTY
1	293-RER-MNT-BRKT-01	REAR MOUNTING BRACKET	1
2	AC001-CAN-MNT-BRKT-01	CANOPY MOUNTING BRACKET	1
3	AC001-ST3-SHM-02	SHIM PLATE 2	3
4	HEX-M8x20	M8x20 HEX BOLT S/S	2
5	FW-M8	M8x16mm FLAT WASHER S/S - DIN 125	3
6	NY-M8	M8 NYLOC NUT S/S	3
7	NCAP-M8	NUT CAP.Ø8mm	6
8	FFW-M8	M8x24mm OVERSIZED WASHER S/S - DIN 9021	3
9	HEX-M8x10	M8x10 HEX BOLT S/S	2
10	HEX-M8x25	M8x25 HEX BOLT S/S	1
11	SW-M8	M8 SPRING WASHER S/S	2

REV.	DESCRIPTION	DATE	APPROVED	REV.
00	RELEASED FOR PRODUCTION	2020-11-11	System Administrator	00

Installation Instructions: Canopy Installation

STEP
6

Canopy Fitment to Load bin:

b) Tightening the Universal Bracket to the Canopy

Tighten the nylock nuts and mount the universal bracket to the canopy using a ratchet and a 13mm socket. Cover the nuts with M8 nut caps. This is done for the front and rear mountings brackets.

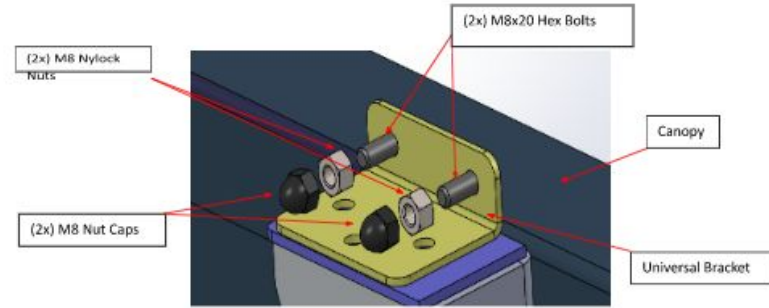
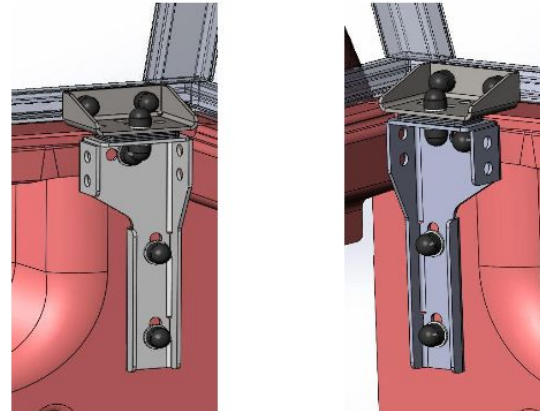


Figure 18.1 : Universal-Canopy Mounting Bolts Assembly

Figure 18.2 Supporting Front Left & Front Right Mounting Views

Figure 18.3 & 18.4 Supporting Drawings on the next two pages



Installation Instructions: Canopy Installation

STEP
6

FINISH	PAINT	BLACK
WASH	POW	COLORED
FASTENED	Y	
BOLTED	Y	
FLANGED		
RECESSED		
POWDER		
SPRAY		
COLORED		

ITEM NO.	PART NUMBER	DESCRIPTION	QTY
1	293-FNT-MNT-LH-BRKT-01	FRONT MOUNTING LH BRACKET	1
2	AC001-CAN-MNT-BRKT-01	CANOPY MOUNTING BRACKET	1
3	AC001-STD-SHM-02	SHIM PLATE 2	5
4	HEX-M8x30	M8x30 HEX BOLT S/S	2
5	FW-M8	M8x16mm FLAT WASHER S/S - DIN 125	3
6	NY-M8	M8 NYLOC NUT S/S	3
7	NCAP-M8	NUT CAP-08mm	7
8	HEX-M8x25	M8x25 HEX BOLT S/S	1
9	FW-M8	M8x24mm OVERSIZED WASHER S/S - DIN 9021	4
10	SIX-M8	M8 SPRING WASHER S/S	3
11	HEX-M8x30	M8x30 HEX BOLT S/S	3

REV.	DESCRIPTION	DATE	APPROVED	BY	QTY
00	RELEASED FOR PRODUCTION	2020-11-11	System Administrator		00

TDC ENGRAND'S TO ASSUME
 UNLESS INDICATED OTHERWISE
 ALL DIMENSIONS ARE IN MILLIMETERS
 TOLERANCES
 F30 - ±0.30
 F15 - ±0.15
 F10 - ±0.10
 F5 - ±0.05
 F3 - ±0.03
 F2 - ±0.02
 F1 - ±0.01

DESCRIPTION: FRONT MOUNTING BRACKET LH ASSEMBLY
 PART NO: 293 - MOUNTING KIT - ISUZU 2020 (AUX) CANOPY
 DRAWN BY: ENGRAND'S
 DATE: 2020-05-11
 SHEET: 1 OF 1
 Alu-Cab
 NEW TRAILERS & MORE
 293-FNT-MNT-BRKT-LH-ASSY-01

Installation Instructions: Canopy Installation

STEP
6

BASE (H)	BASE (L)
ROBOTS FASTENED (Y)	ROBOTS FASTENED (N)
FURBLED (Y)	FURBLED (N)
POWDER (Y)	POWDER (N)
COLOUR (Y)	COLOUR (N)

ITEM NO.	PART NUMBER	DESCRIPTION	QTY
1	293-FNT-MNT-RH-BRKT-01	FRONT MOUNTING BRACKET RH	1
2	AC001-CAN-MNT-BRKT-01	CANOPY MOUNTING BRACKET	1
3	AC001-STD-SHM-02	SHIM PLATE 2	5
4	HEX-M8-20	M8x20 HEX BOLT S/S	2
5	W-M8	M8 WELD NUT S/S	3
6	NCAP-M8	NUT CAP-Ø8mm	7
7	FW-M8	M8x16mm FLAT WASHER S/S - DIN 125	3
8	SW-M8	M8 SPRING WASHER S/S	3
9	FFW-M8	M8x24mm OVERSIZED WASHER S/S - DIN 9021	4
10	HEX-M8-25	M8x25 HEX BOLT S/S	1
11	HEX-M8-30	M8x30 HEX BOLT S/S	3

REV.	DESCRIPTION	DATE	APPROVED	REV.
00	RELEASED FOR PRODUCTION	2020-11-11	System Administrator	00

293-FNT-MNT-BRKT-RH-ASSY-01

Installation Instructions: Canopy Installation

STEP
6

Canopy Fitment to Load bin:

c) Tightening the Universal Bracket to the Canopy

Tighten the nylock nuts and mount the universal bracket to the canopy using a ratchet and a 13mm socket. Cover the nuts with M8 nut caps. This is done for the front and rear mountings brackets.

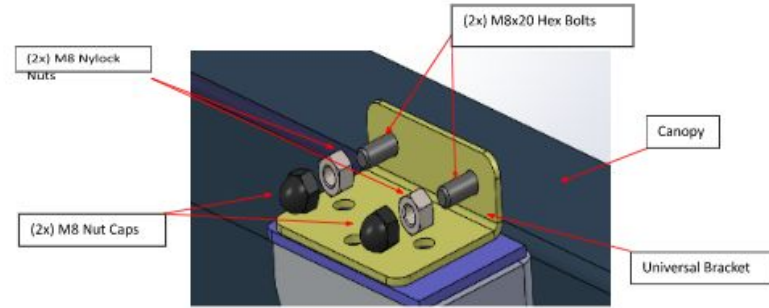
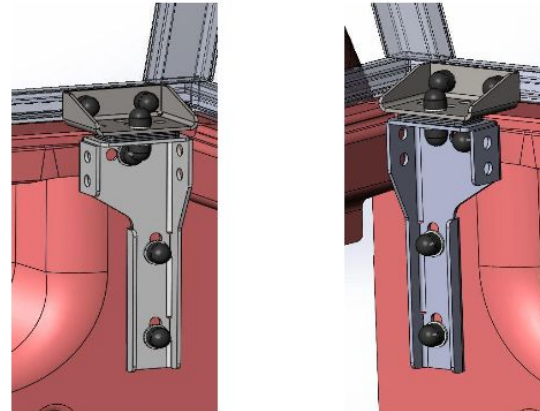


Figure 18.1 : Universal-Canopy Mounting Bolts Assembly

Figure 18.2 Supporting Front Left & Front Right Mounting Views

Figure 18.3 & 18.4 Supporting Drawings on the next two pages



Installation Instructions: Canopy Installation

STEP
6

ITEM NO.	PART NUMBER	DESCRIPTION	QTY
1	293-FNT-MNT-LH-BRKT-01	FRONT MOUNTING LH BRACKET	1
2	AC001-CAN-MNT-BRKT-01	CANOPY MOUNTING BRACKET	1
3	AC001-STD-SHM-02	SHM PLATE 2	5
4	HEX-M8x20	M8x20 HEX BOLT S/S	2
5	FW-M8	M8x16mm FLAT WASHER S/S - DIN 125	3
6	NY-M8	M8 NYLOC NUT S/S	3
7	NCAP-M8	NUT CAP-08mm	7
8	HEX-M8x25	M8x25 HEX BOLT S/S	1
9	FFW-M8	M8x24mm OVERSIZED WASHER S/S - DIN 9321	4
10	SW-M8	M8 SPRING WASHER S/S	3
11	HEX-M8x30	M8x30 HEX BOLT S/S	3

REV.	DESCRIPTION	DATE	APPROVED
00	RELEASED FOR PRODUCTION	2020-11-11	System Administrator

REVISIONS		DATE	APPROVED
00	RELEASED FOR PRODUCTION	2020-11-11	System Administrator

<p>TELEPHONE TO ASSISTANCE (SEE PARTS INDICATED BY PART NUMBER) 1-800-888-8888</p>	<p>FRONT MOUNTING BRACKET LH ASSEMBLY</p> <p>293 - MOUNTING KIT - ISUZU 2020 (AUS) CANOPY</p>	<p>SCALE: A3</p> <p>TITLE: SHEET 1 of 1</p>	
<p>DATE: 2020-11-11</p> <p>BY: System Administrator</p> <p>THIS INSTRUMENT CONTAINS THE PROPERTY OF ALU-CAB. IT IS TO BE KEPT IN THE FILE OF THE PROJECT OF WHICH IT IS PART.</p>	<p>293-FNT-MNT-BRKT-LH-ASSY-01</p>	<p>00</p>	<p>00</p>

Installation Instructions: Canopy Installation

STEP
6

Canopy Fitment to Load bin:

d) Bolting the Universal Bracket to the Front Support Brackets

Align the Universal bracket to the front support bracket mounted to the load bin and insert the mounting bolt. Slide the bracket spacers between the 2 brackets and tighten / torque the bolt to specifications. The Right-Hand Side support brackets have been installed, repeat the steps for the Left-Hand Side support brackets and the canopy should be installed successfully.



Figure 19: Front Support Bracket Installed



Figure 20: Mounting Universal-Front Support Bracket

Disclaimer

All rights reserved. No part of this website may be reproduced, translated, stored in a retrieval system, or transmitted, in any form or by any means, electronic, mechanical, photocopying, recording or otherwise, without prior written permission of the owner.

Review all instructions information carefully before installation.

Any damages, direct or incidental to the installer and/or property due to incorrect installation of any parts are the responsibility of the installer. Due to the various applications and fitment options available, the responsibility lies with the user to ensure all mounting points are secure and tight before every trip.

If unsure, consult with your Distributor regarding the operations of our products.

Users are advised to be mindful of the load they are carrying and drive in accordance with road conditions.

WARNING

Always wear appropriate PPE (Personal protection equipment) when fitting our products. Although the mounting kit is designed to be DIY, if you have any doubts or concerns, contact an accredited fitment centre to carry out the work. Alu-Cab will not be liable for any injury to persons, and/or damage to products and/or vehicles.

While Alu-Cab Holdings takes reasonable measures to ensure that the contents of this Website are accurate and complete, Alu-Cab Holdings makes no representations or warranties, whether express or implied, as to the quality, timeliness, operation, integrity, availability or functionality of this Website or as to the accuracy, completeness or reliability of any information on this Website. Alu-Cab Holdings reserves the right to make changes, corrections and/or improvements to the information and to the products and programs described in such information, at any time without notice.

Alu-Cab Holdings will use reasonable endeavours to maintain the availability of the Website, except during scheduled maintenance periods, and reserves the right to discontinue providing the Website or the service or any part thereof with or without notice to you. Any person who accesses this Website or relies on this Website or on the information contained in this Website does so at his or her own risk.

Occasionally, at our discretion, we may include or offer third-party products or services on our website. These third-party sites have separate and independent privacy policies. We therefore have no responsibility or liability for the content and activities of these linked sites. Nonetheless, we seek to protect the integrity of our site and welcome any feedback about these sites.