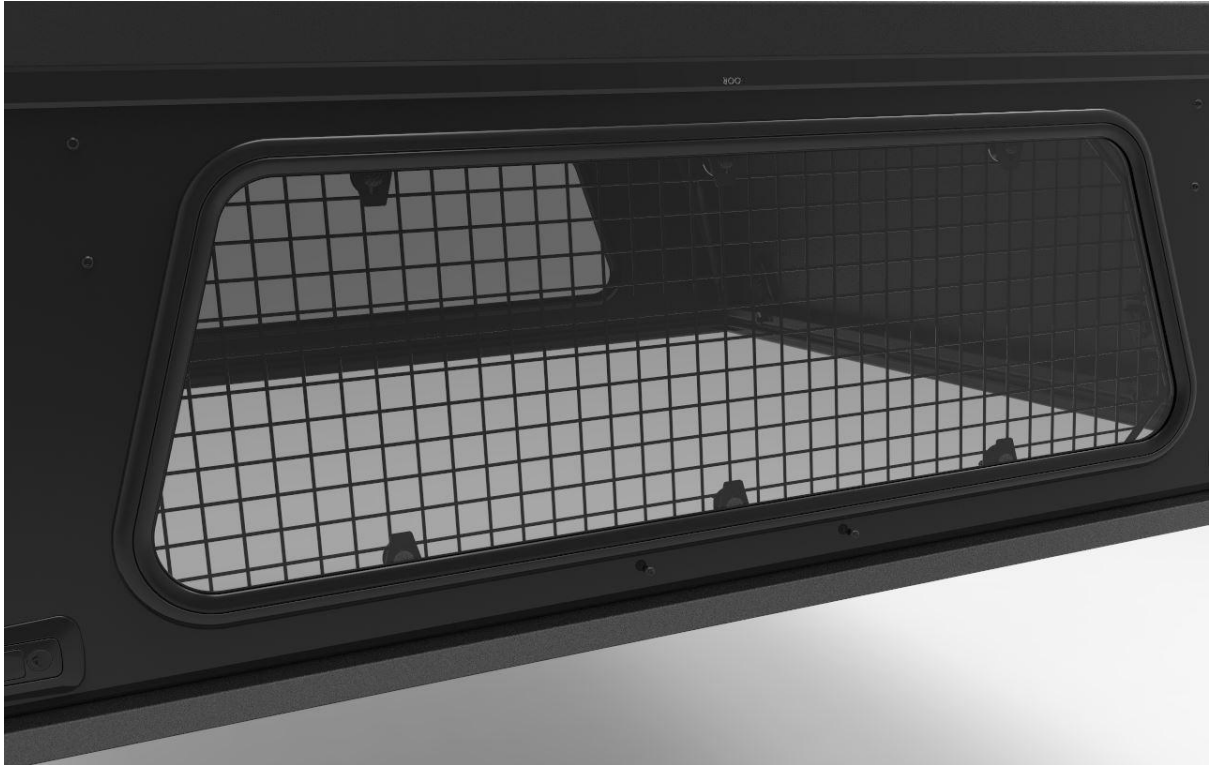


# FITMENT INSTRUCTIONS

**Alu-Cab**<sup>TM</sup>



## Canopy Rear Window Grid (C-A-WG)

All rights reserved. No part of this document may be reproduced, translated, stored in a retrieval system, or transmitted, in any form or by any means, electronic, mechanical, photocopying, recording or otherwise, without prior written permission of the owner.

Review all instructions information carefully before installation.

Any damages, direct or incidental to the installer and/or property due to incorrect installation of any parts are the responsibility of the installer. Due to the various applications and fitment options available, the responsibility lies with the user to ensure all mounting points are secure and tight before every trip. If unsure, consult with your Distributor regarding the operations of our products.

Users are advised to be mindful of the load they are carrying and drive in accordance with road conditions.

DISCLAIMER

**Alu-Cab**

## 1. Canopy Window Grid - Tools, Fasteners & Materials

The tables below show the equipment, i.e tools, fasteners, hardware and consumables required to complete the fitment of the Canopy Window Grid.

### 1.1. Tools & Items Required:

TOOLS
Drill and 4.8 Drill Bit
10 Spanner or Ratchet
Rivet Gun
Measuring Tape
Pencil or Scribe
Drill and 4.8 Drill Bit

CONSUMABLES
N/A

### 1.2. Fasteners Supplied:

ITEM	QTY
4.8 x 10 Black Rivets	12
M6 x 20 Cup Square Bolts	6
M6x14 washers	6
M6x30 washers	6
M6 ss nyloc nut	6
M6 Wing Nut	6

### 1.3 Hardware Required:

ITEM	DESCRIPTION	QTY
Canopy Window Grid	Canopy Window Grid	1
Vertical Mount	Vertical Mount	6



#### **WARNING**

Always wear appropriate PPE ( Personal protection equipment) when fitting this product. Although the mounting kit is designed to be DIY, if you have any doubts or concerns, contact an accredited fitment centre to carry out the work. Alu-Cab will not be liable for any injury to persons, and/or damage to products and/or vehicles.

## 2. Fitting the Canopy Window Grid

### Step 1: Installing the Bottom Vertical Mounts

For this step we need to install the 6 Vertical Mount Brackets to the Canopy Rear Door. In order to do this we first need to measure and mark where the Vertical Mounts will go, starting with 1 in the middle of our Canopy Rear Door and the other 2 spaced out in between the middle mount and the side of the Window Grid. You can place the Vertical Mount over your markings and mark the 2 holes where you will drill and Rivet. We can now drill the marked holes through the Aluminium lip and Rivet on the Vertical Mounts as shown.

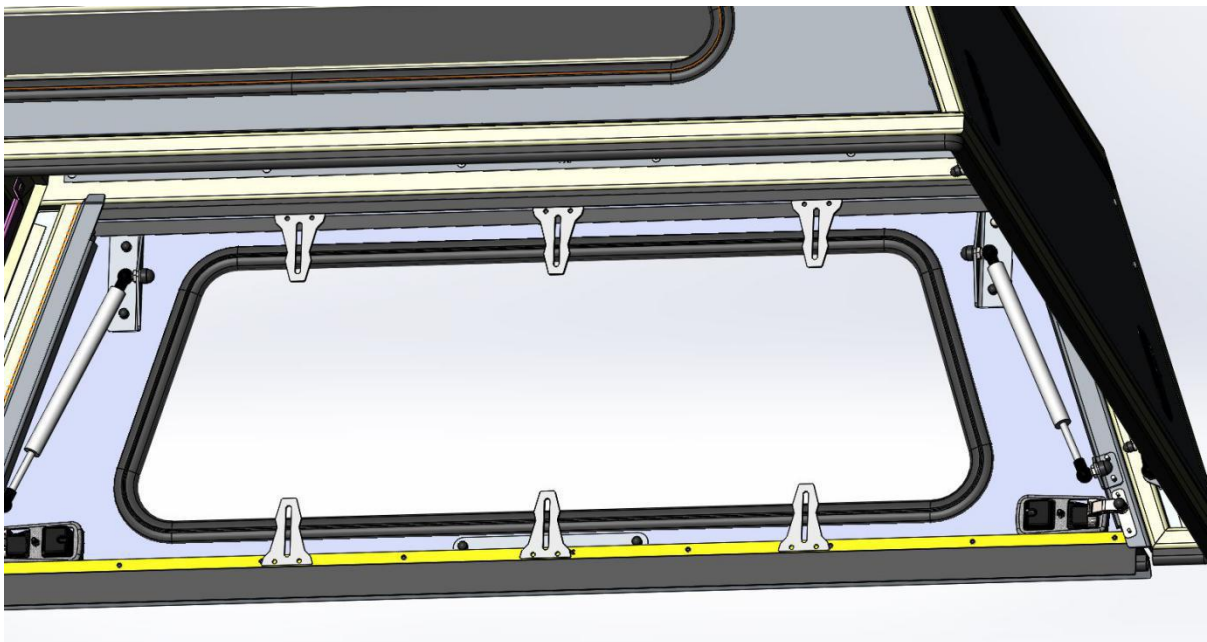


Figure 1: Vertical Mount Position Example



Figure 2: Measure and mark the equal spacing for the Vertical Mounts, with the center Vertical Mount located in line with the center of the Canopy Window.

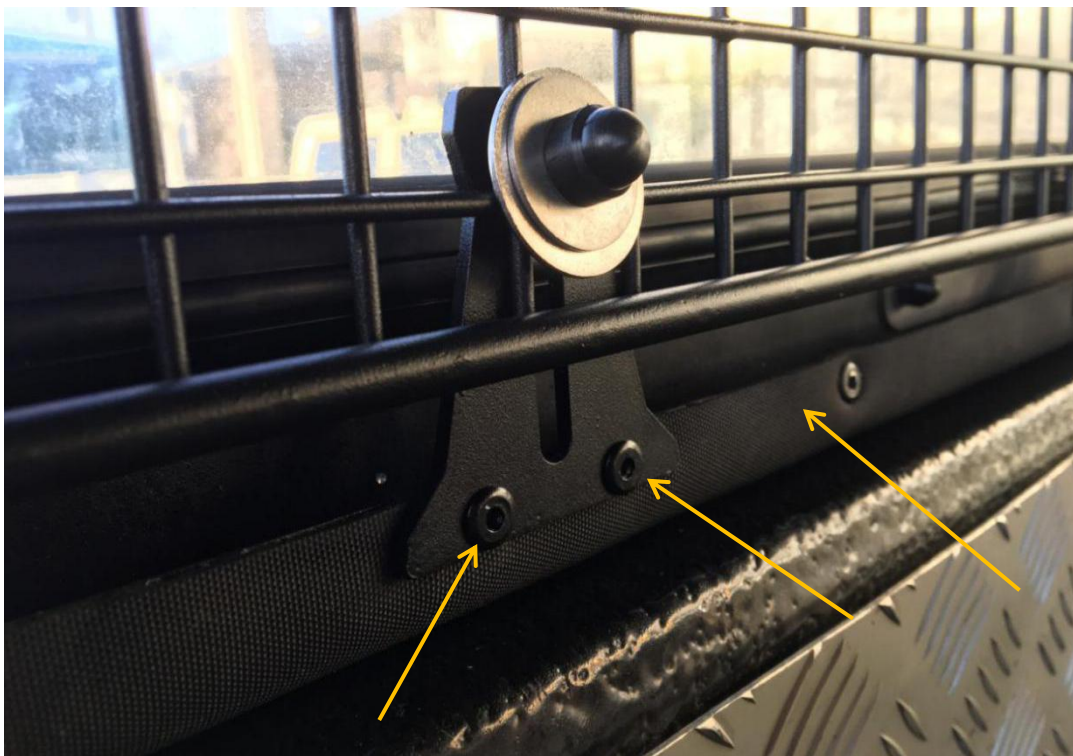


Figure 3: The Aluminium lip where the Vertical Mounts Rivet to.

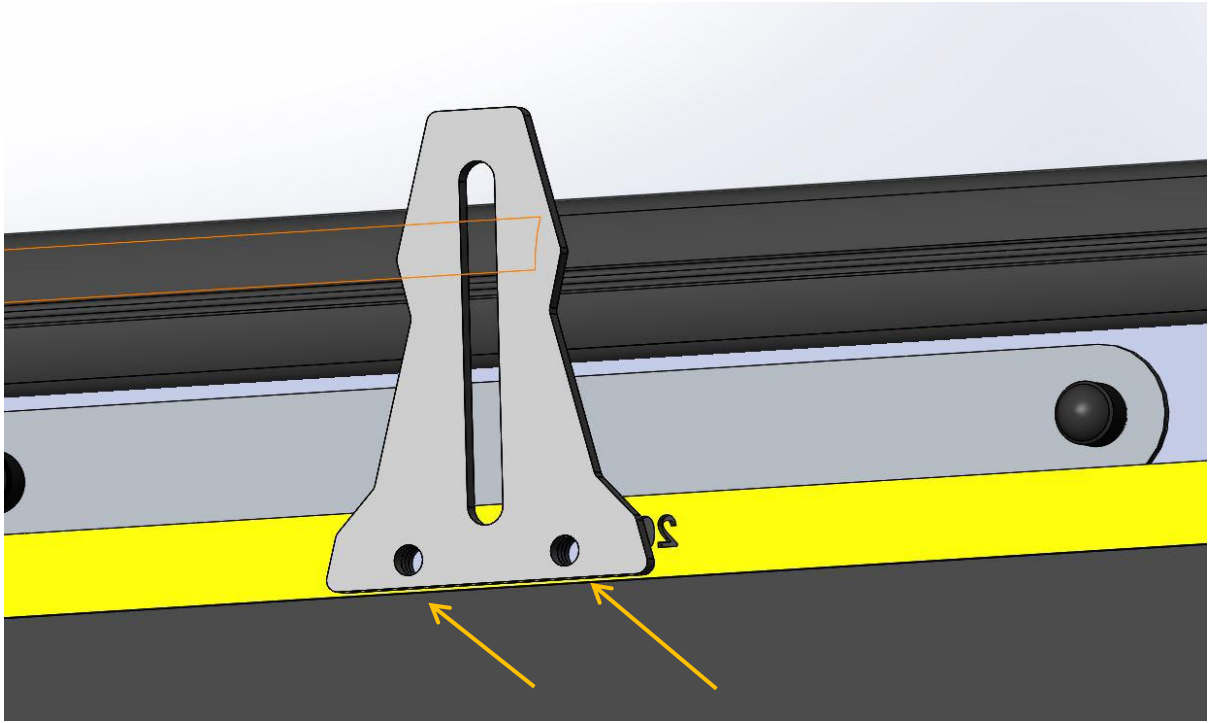


Figure 4: Drill into the Aluminium lip to create your Rivet holes.

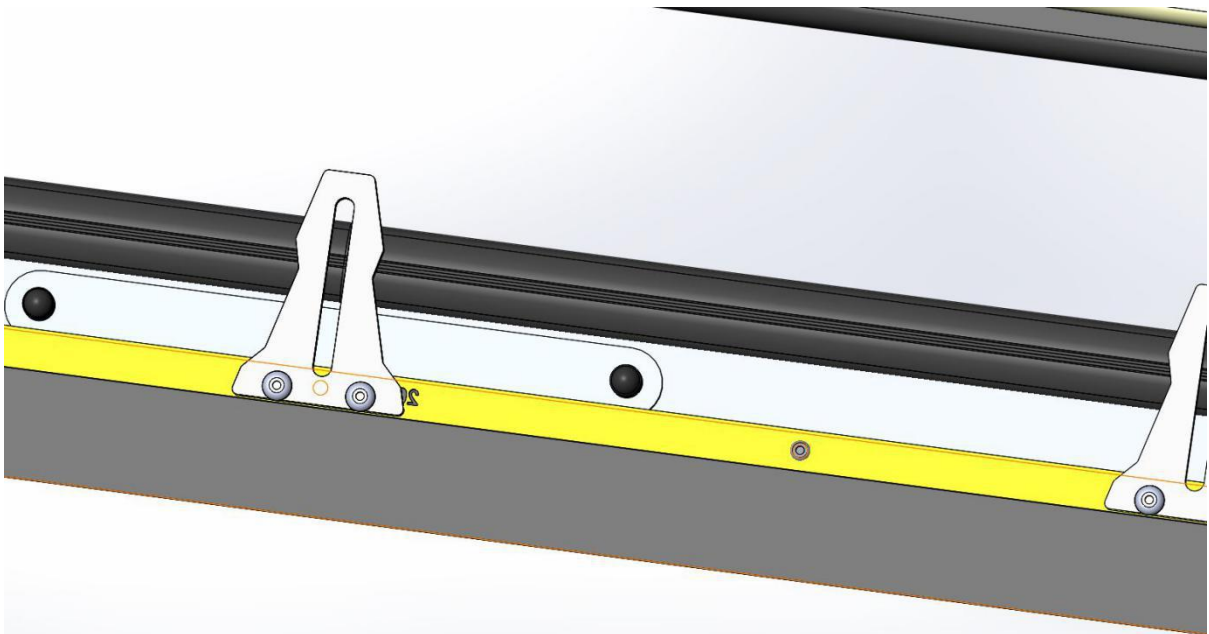


Figure 5: Rivet the Vertical Mounts to the Aluminium lip where you drilled your holes.

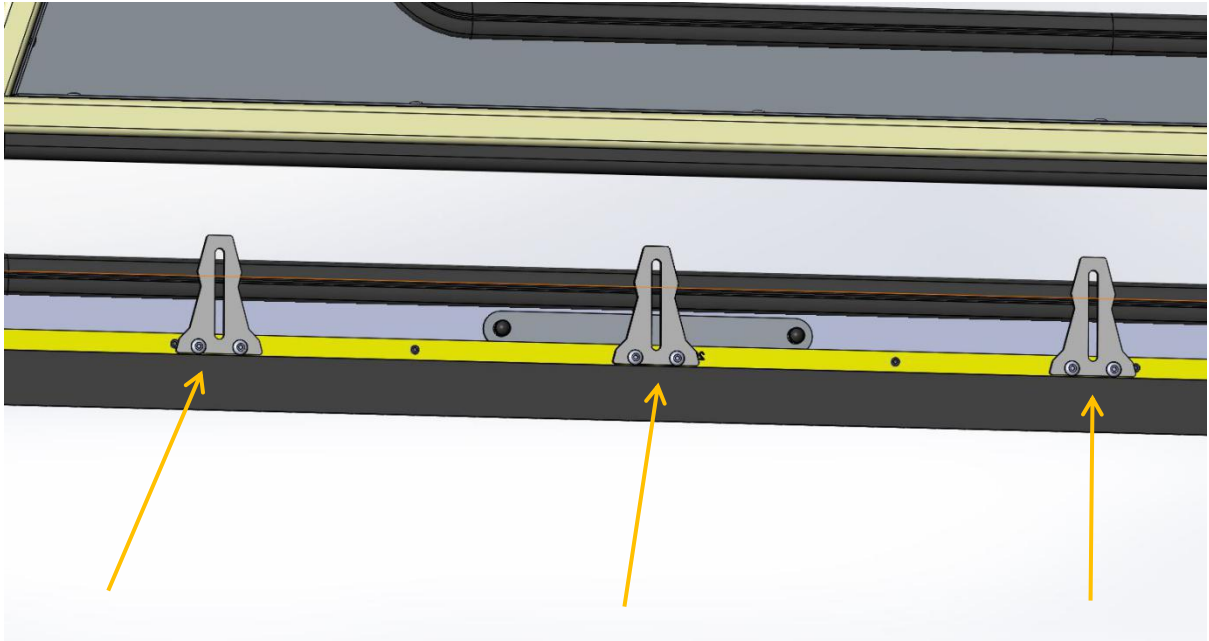


Figure 6: Riveted Vertical Mounts

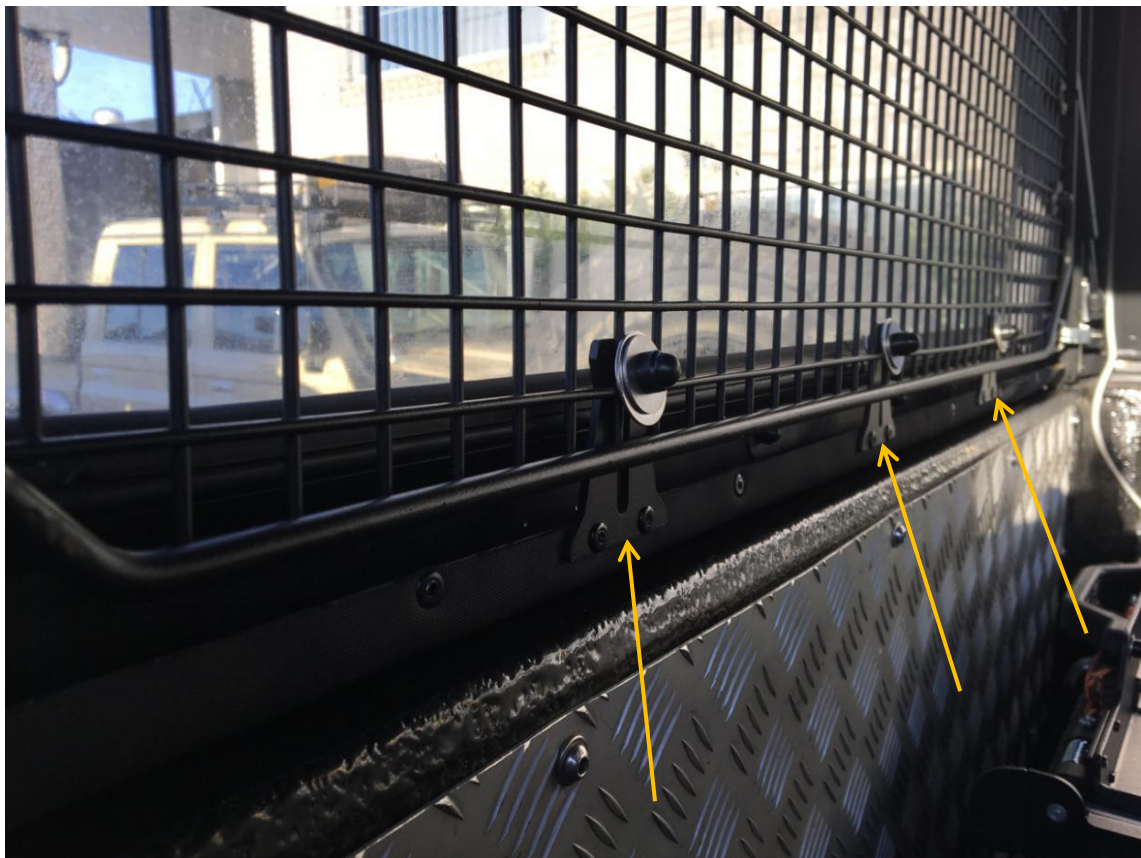


Figure 7: Three (3) equally spaced Bottom Vertical Mount Brackets riveted in place.

## Step 2: Installing the Top Vertical Mounts

To install the Top Vertical Mounts for the Window Grid we simply follow the same steps as for the Bottom Vertical Mounts.



Figure 8: Top Vertical Mounts drilled and riveted to the Top Aluminium lip on the Canopy Rear Door.

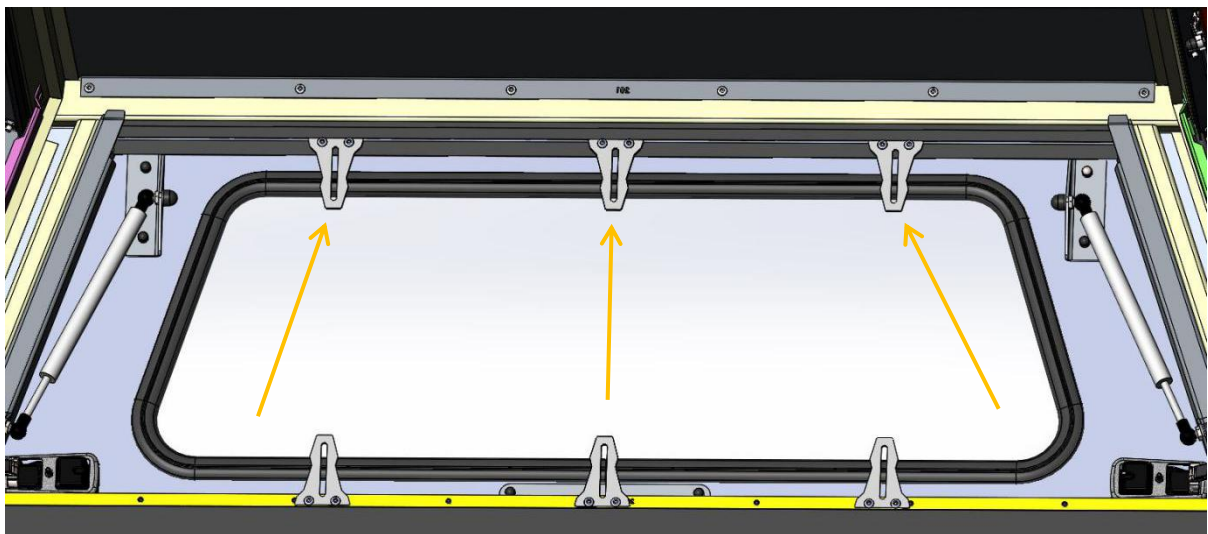


Figure 9: Top Vertical Mount following the spacing of the Bottom Vertical Mounts



Figure 10: Spaced out Top Vertical Mounts installed

### **Step 3: Installing the Cup Square Bolts**

The next step is to fasten the Cup Square Bolts to the Vertical Mount Brackets. We will place the Bolts through the slots in the Vertical Mounts, with the thread facing the inside of the Canopy. We can then use a small M6 Washer and Nyloc Nut to loosely secure the Cup Square Bolt before fitting the Grid. The next step is to position and locate our Grid on the protruding Cup Square Bolts, and once the Grid is properly aligned, fully tighten the Nyloc Nuts to keep the Cup Squares in position for future removal and fitting of the Grid.



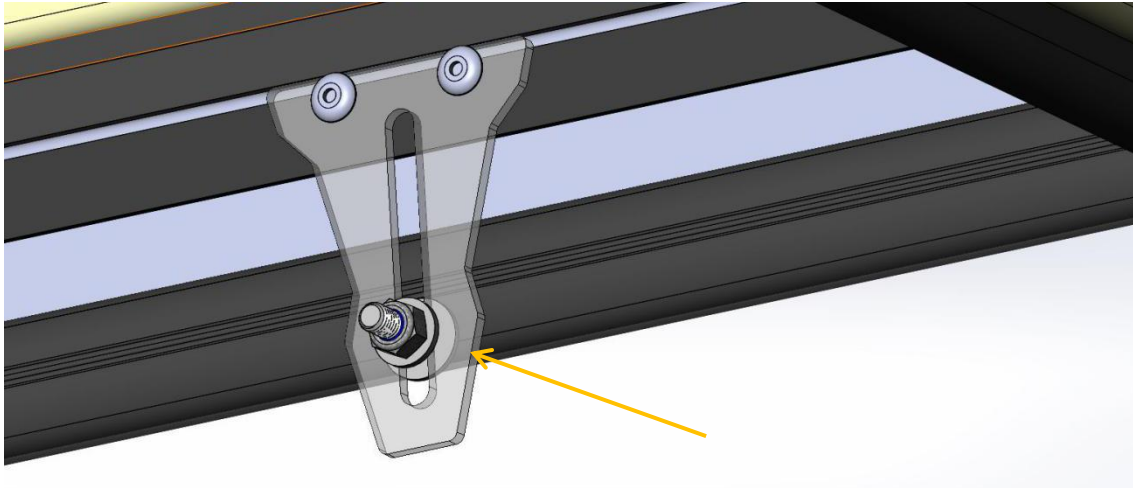


Figure 11: Cup Square Bolt, M6 Washer and Nyloc Nut in position

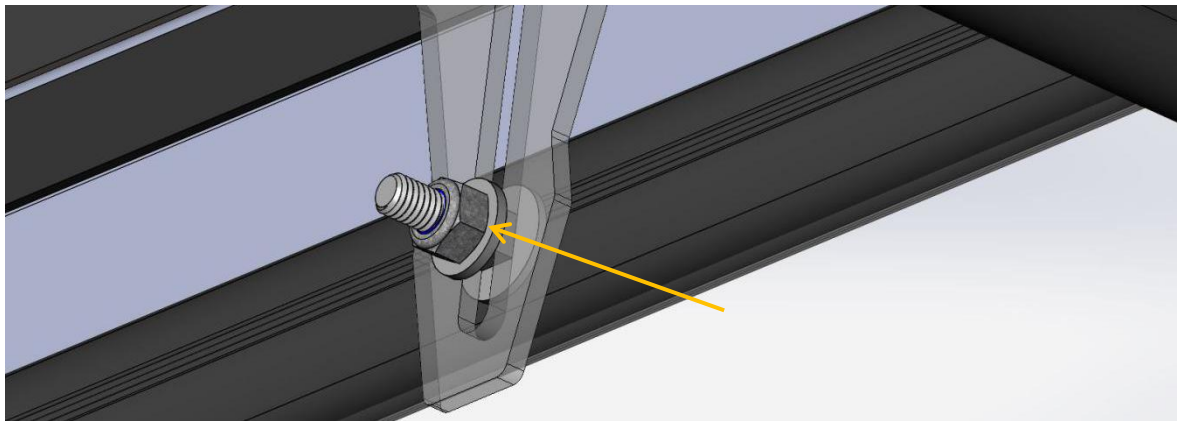


Figure 12: Finger Tight Nyloc Nut fastening the Cup Square Bolt in position

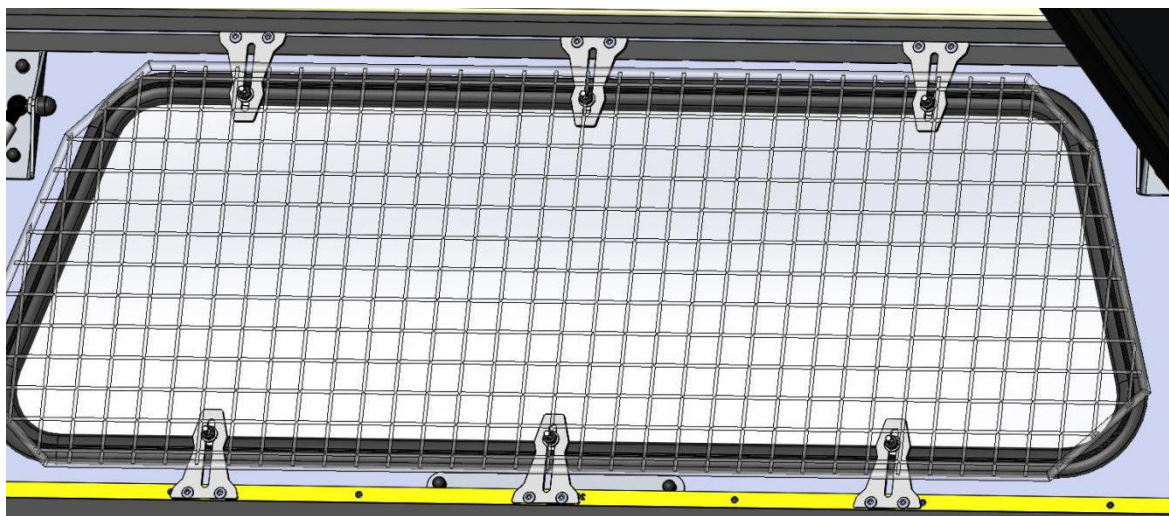


Figure 13: Test positioning and fully tightening Nyloc Nuts to position Cup Squares

## **Step 5: Installing the Window Grid**

Our final step is to install our Window Grid using the Mounting Brackets we have just fitted. We can place our Window Grid on the Cup Square Bolts that we have previously positioned and fastened. Now we can fasten the Grid down using the provided M6x30 Washers and Wing Nuts. This allows us to easily remove the Grid when cleaning of the Rear Window is required.

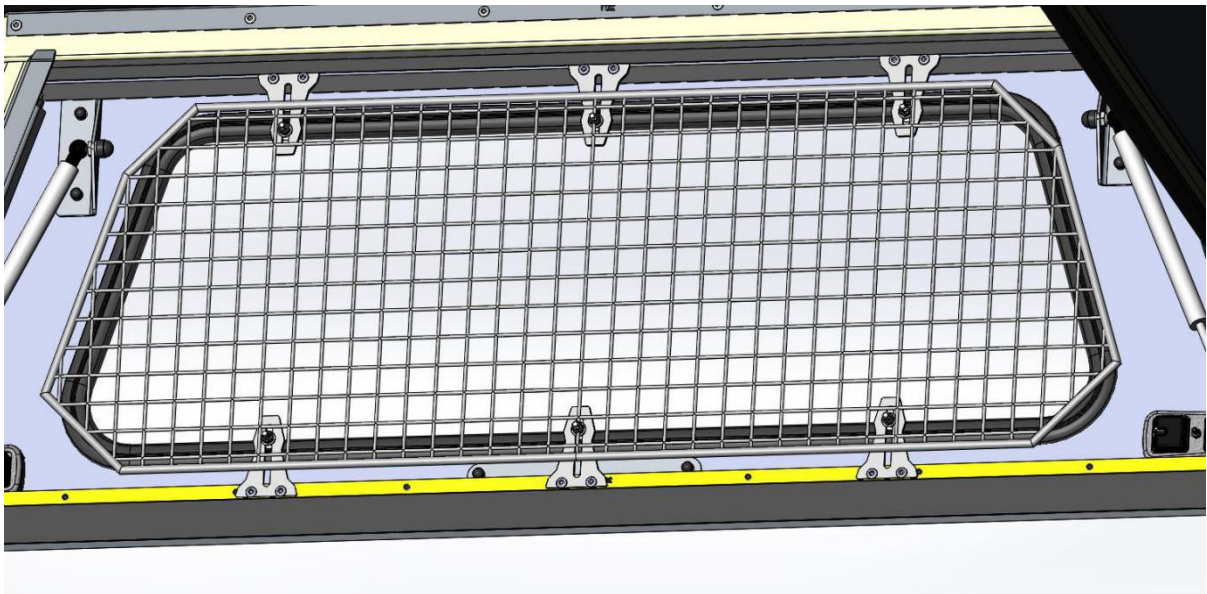


Figure 14: Window Grid positioned on the Cup Squares

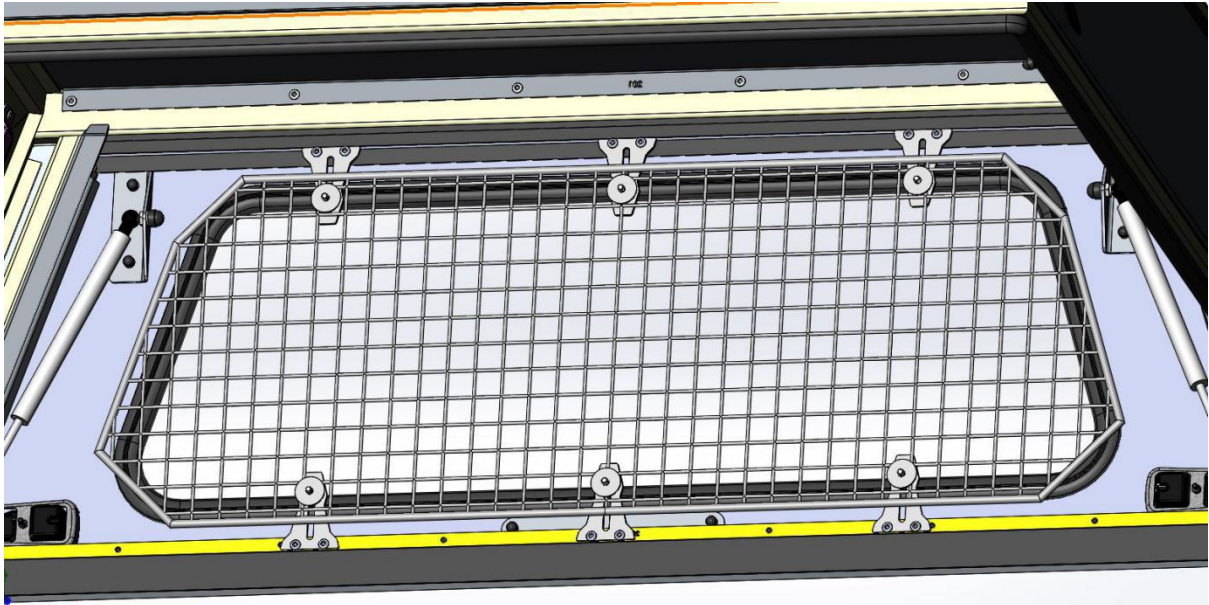


Figure 15: M6x30 Flat Washes on the Grid

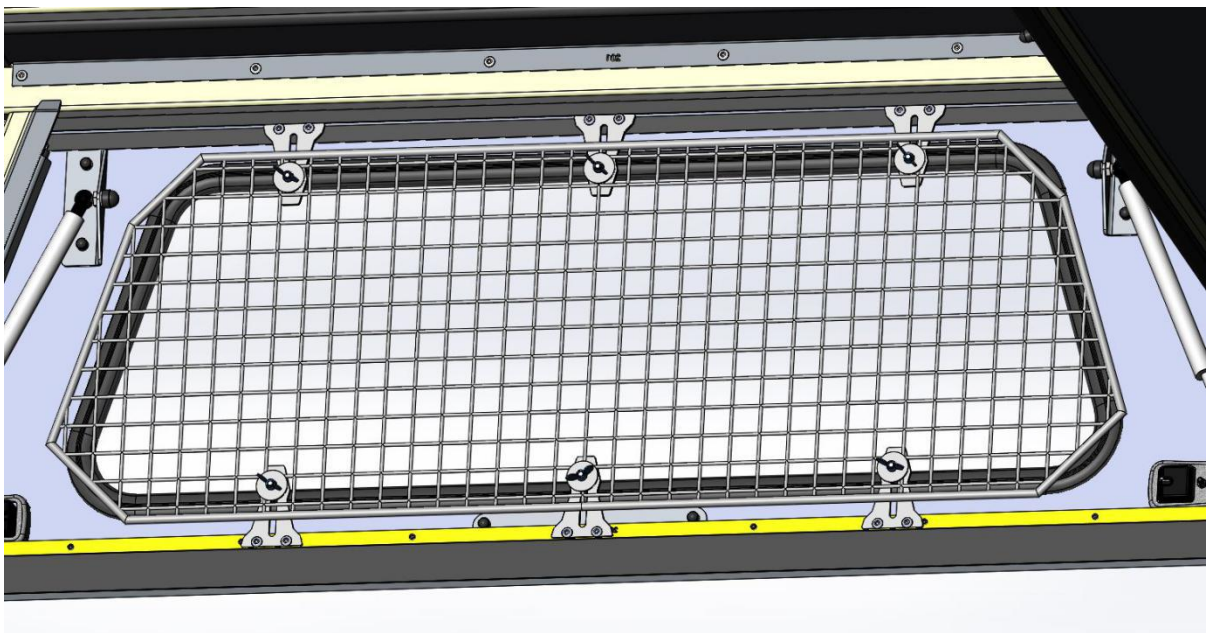


Figure 16: Wing Nuts Fastening the Window Grid

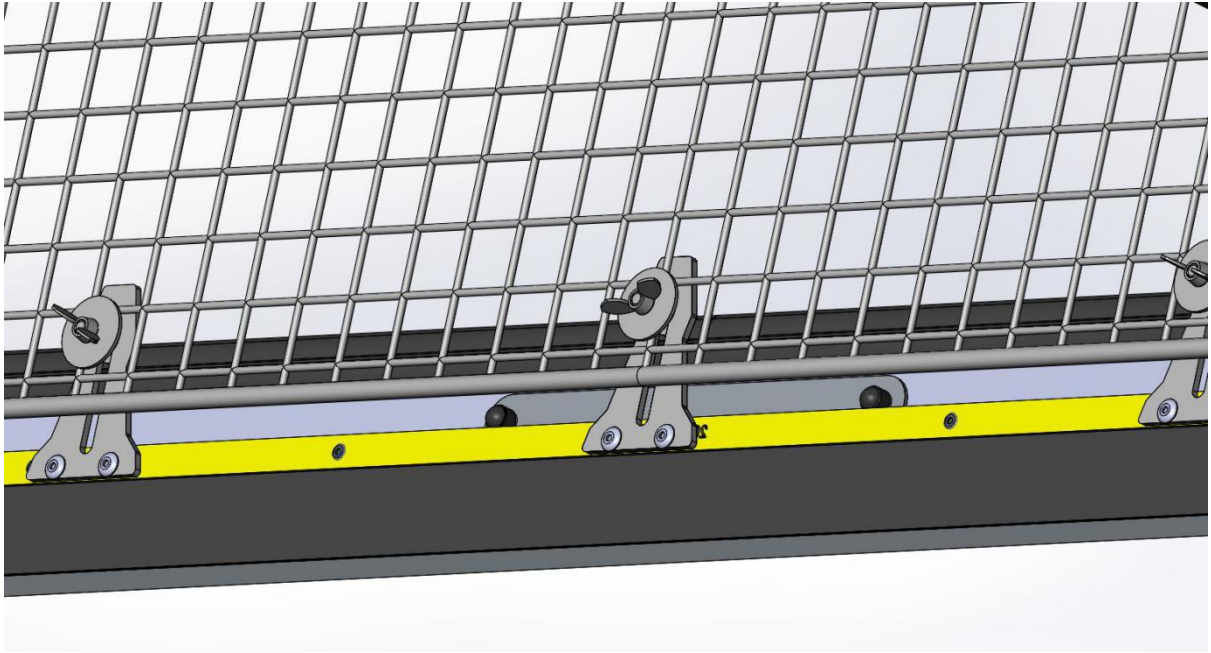


Figure 17: Fastened Window Grid

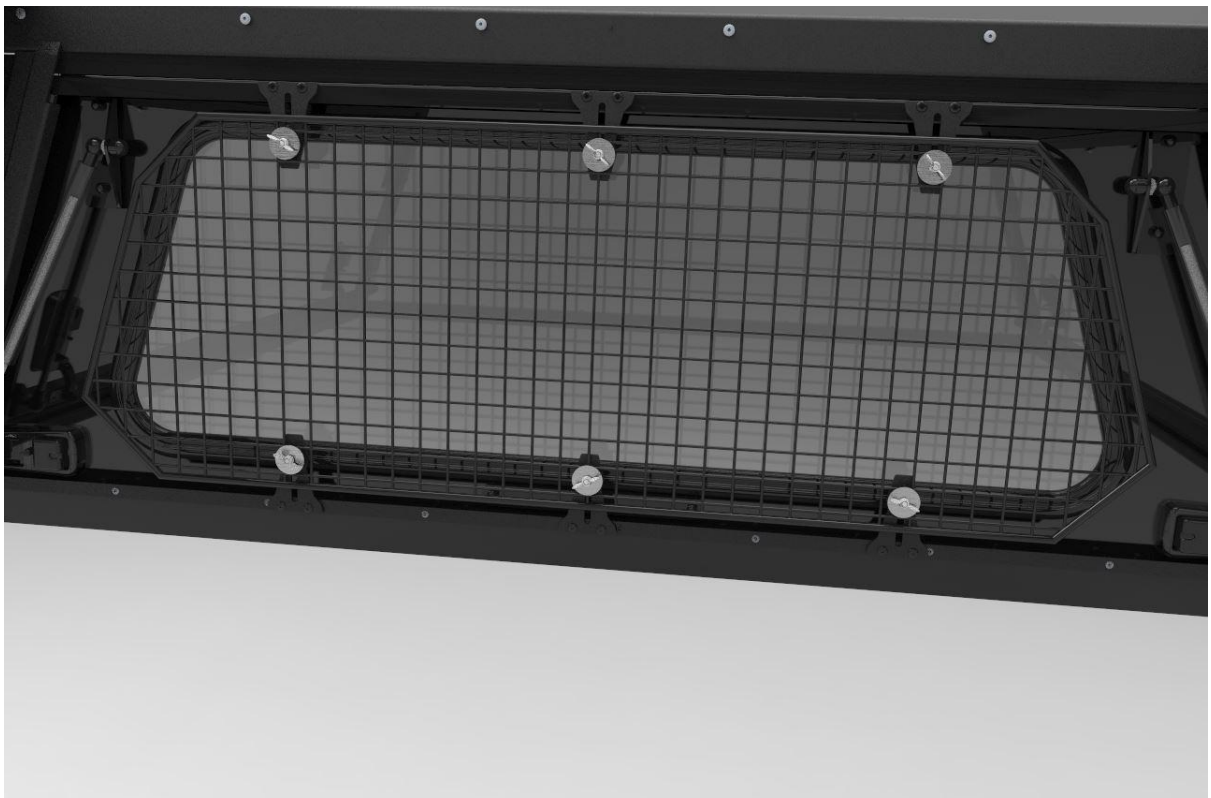


Figure 18: Canopy Window Grid

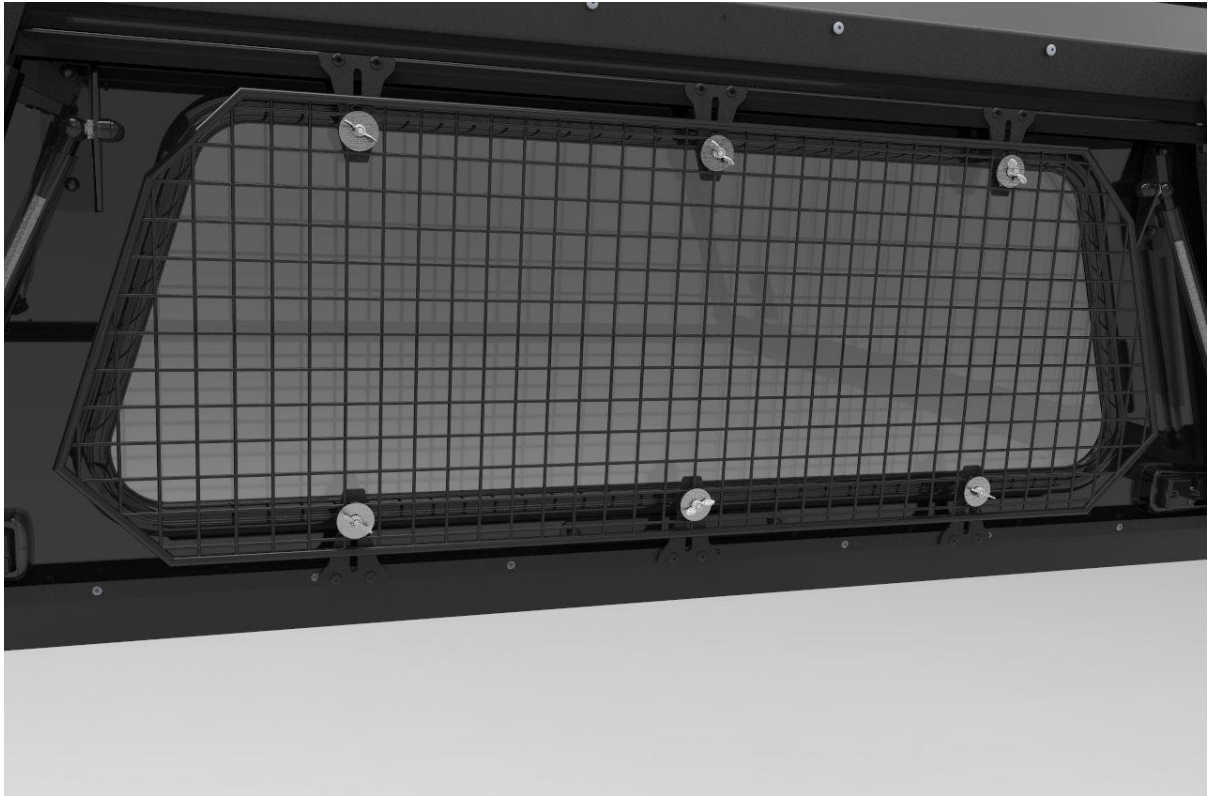


Figure 19: Canopy Window Grid